

Name: \_\_\_\_\_

## Math Puzzle Picture

Solve the equations below. Then, cut out the picture squares. Match the number printed on the picture squares to your answers below and glue them in place to unscramble the mystery picture. Color your picture.

$$\begin{array}{r} 59 \\ \times 21 \\ \hline \end{array}$$

$$\begin{array}{r} 96 \\ \times 37 \\ \hline \end{array}$$

$$\begin{array}{r} 32 \\ \times 94 \\ \hline \end{array}$$

$$\begin{array}{r} 18 \\ \times 65 \\ \hline \end{array}$$

$$\begin{array}{r} 80 \\ \times 43 \\ \hline \end{array}$$

$$\begin{array}{r} 26 \\ \times 58 \\ \hline \end{array}$$

$$\begin{array}{r} 45 \\ \times 74 \\ \hline \end{array}$$

$$\begin{array}{r} 63 \\ \times 12 \\ \hline \end{array}$$



# Preview

Please log in to download  
the printable version of this worksheet.

$$\begin{array}{r} 11 \\ \times 52 \\ \hline \end{array}$$

$$\begin{array}{r} 40 \\ \times 50 \\ \hline \end{array}$$

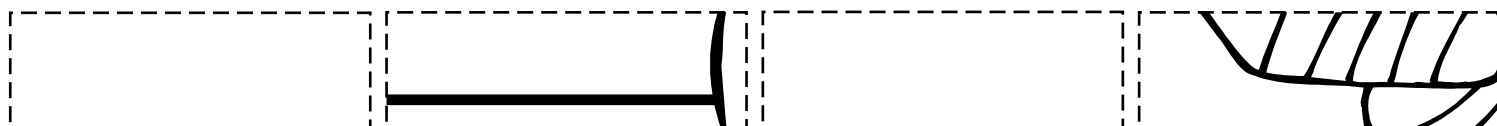
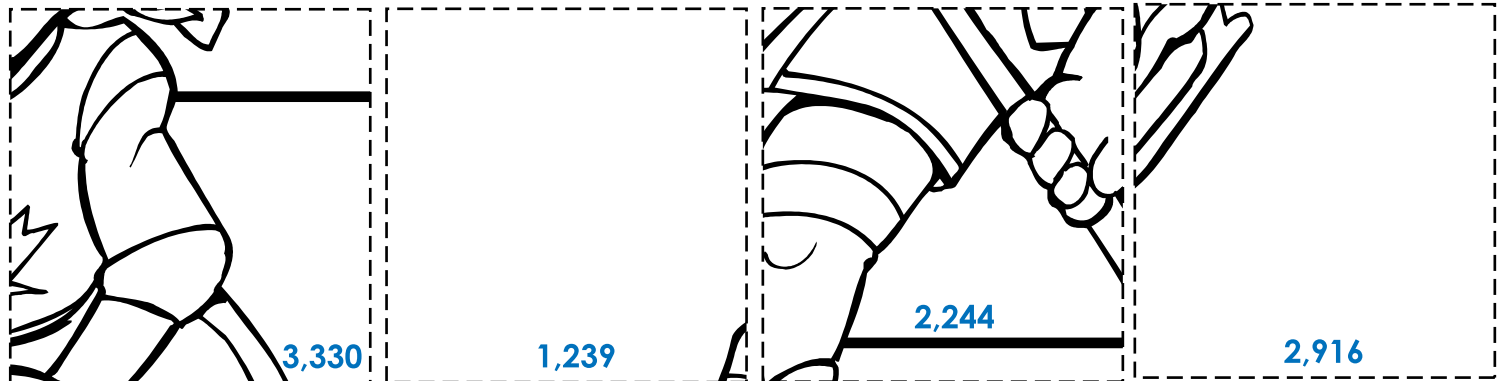
$$\begin{array}{r} 53 \\ \times 62 \\ \hline \end{array}$$

$$\begin{array}{r} 36 \\ \times 81 \\ \hline \end{array}$$

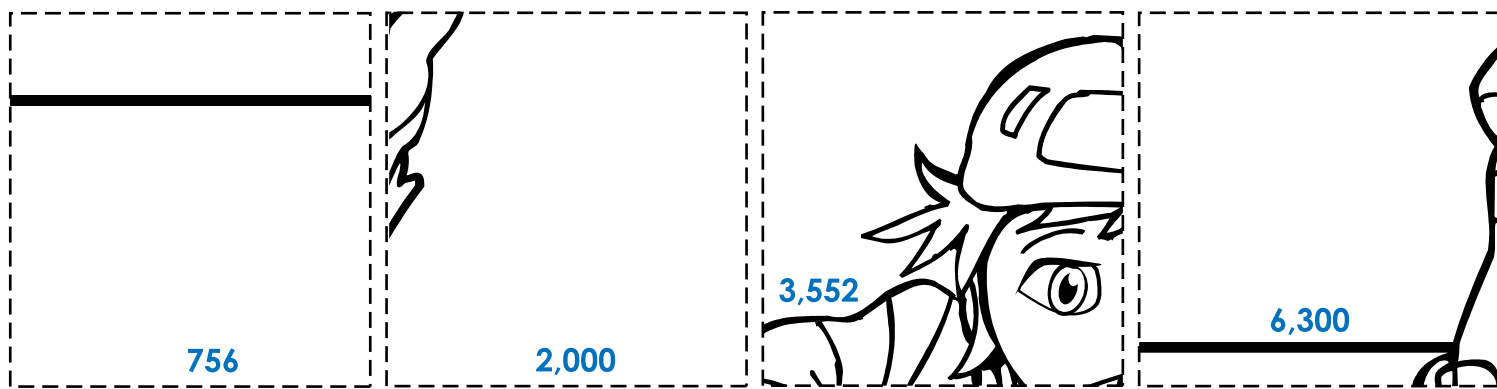
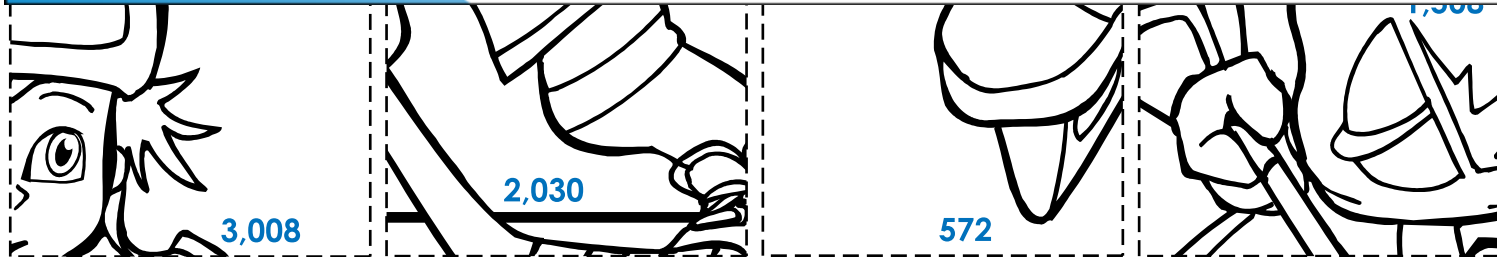
Name: \_\_\_\_\_

## Math Puzzle Picture

Solve the equations. Then, cut out the picture squares. Match the number printed on the picture squares to your answers below and glue them in place to unscramble the mystery picture. Color your picture.



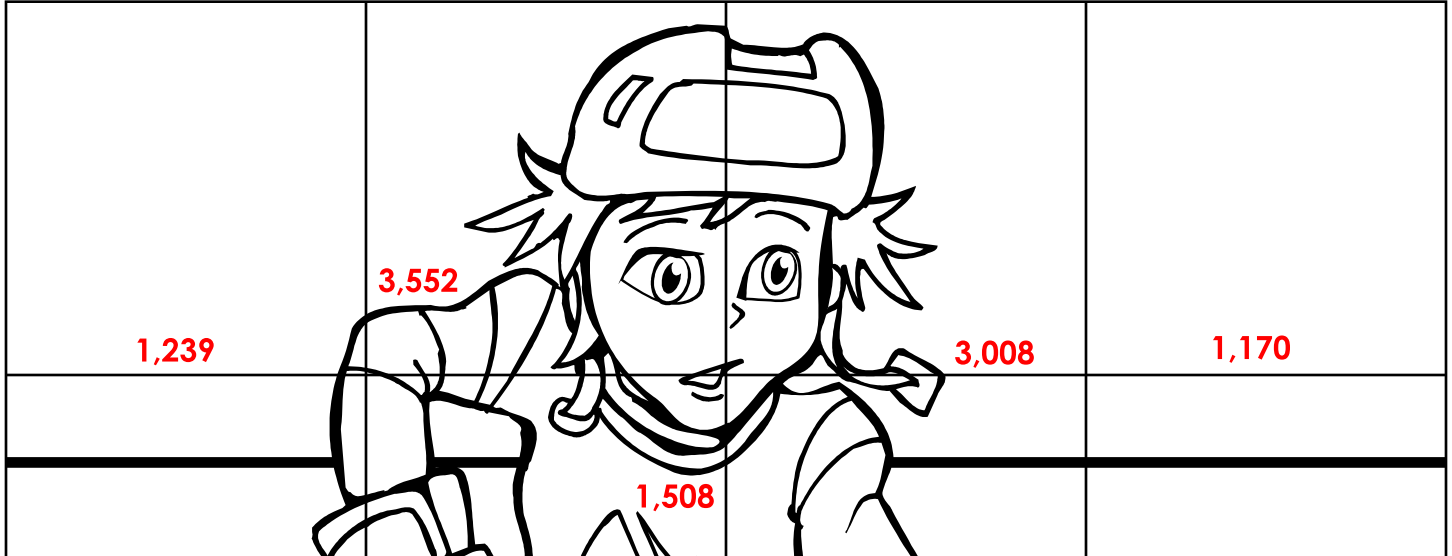
**Preview**  
Please log in to download the printable version of this worksheet.



# ANSWER KEY

## Math Puzzle Picture

**Note to teachers:** You may wish to keep page 2 until after page 1 has been completed to prevent estimating or getting the answers by studying the puzzle.



# Preview

Please log in to download the printable version of this worksheet.

