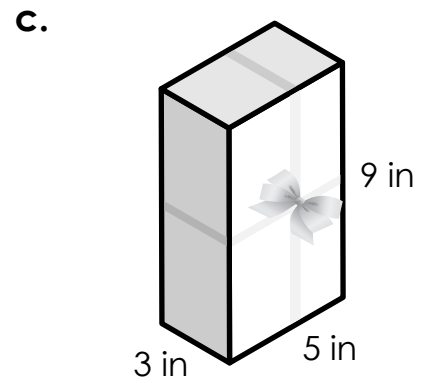
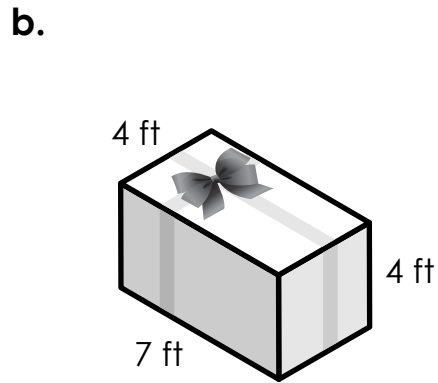
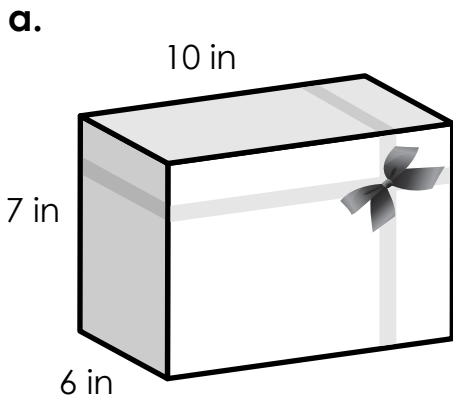


Name: _____

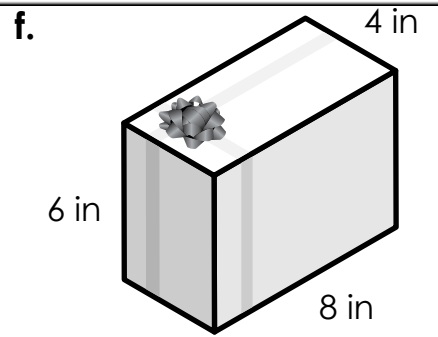
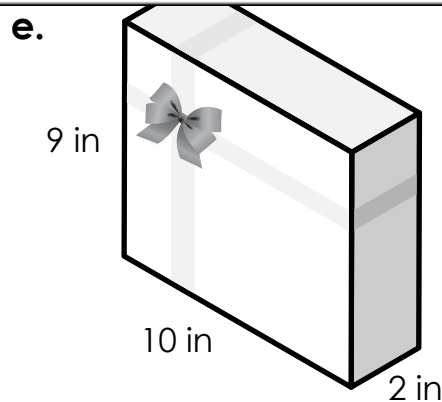
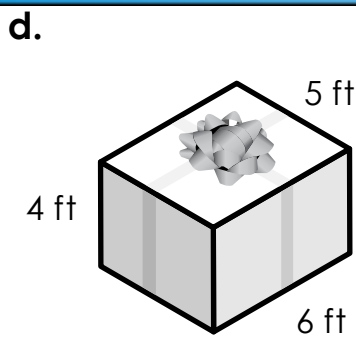
Volume of Rectangular Prisms

Find the volume of each present.



Preview

Please log in to download the printable version of this worksheet.



Length = _____

Width = _____

Height = _____

Volume = _____

Length = _____

Width = _____

Height = _____

Volume = _____

Length = _____

Width = _____

Height = _____

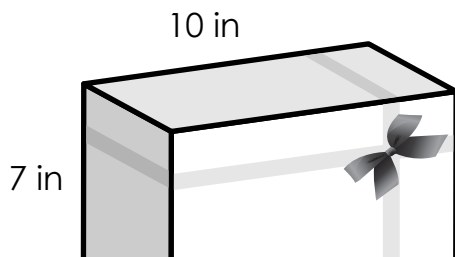
Volume = _____

ANSWER KEY

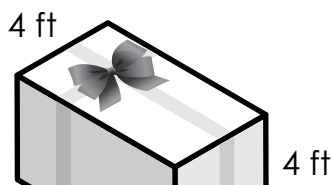
Volume of Rectangular Prisms

Find the volume of each present.

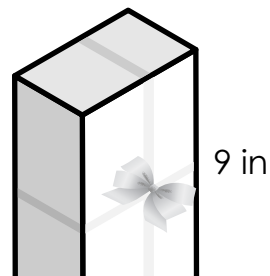
a.



b.



c.



Length
Width
Height
Volume

Preview

Please log in to download the printable version of this worksheet.

35 in³

d.

4 ft

Length

Width = 4

Width = 2

Width = 6

Height = 5

Height = 9

Height = 4

Volume = $4 \times 5 \times 6 = 120 \text{ ft}^3$

Volume = $2 \times 9 \times 10 = 180 \text{ in}^3$

Volume = $4 \times 6 \times 8 = 192 \text{ in}^3$