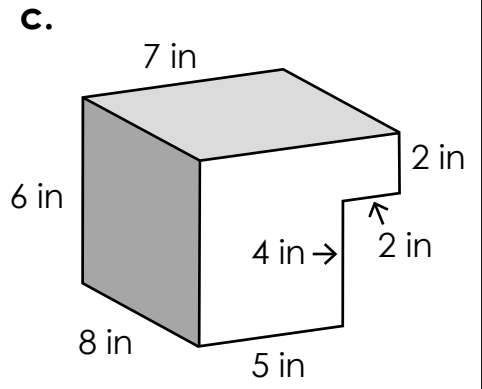
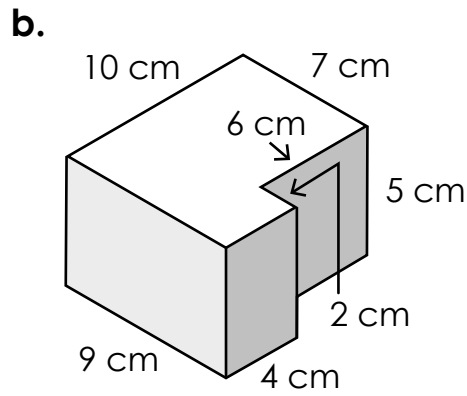
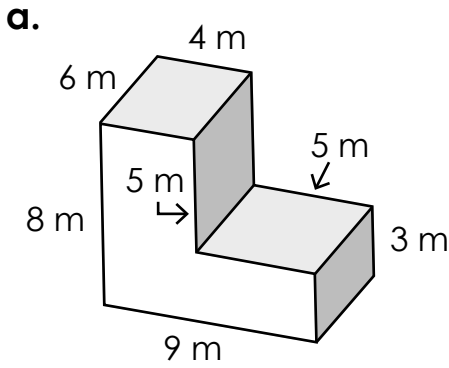


Name: _____

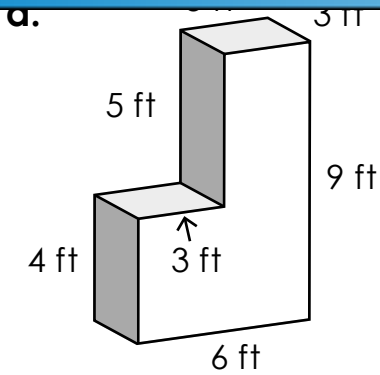
Volume of Composite Figures

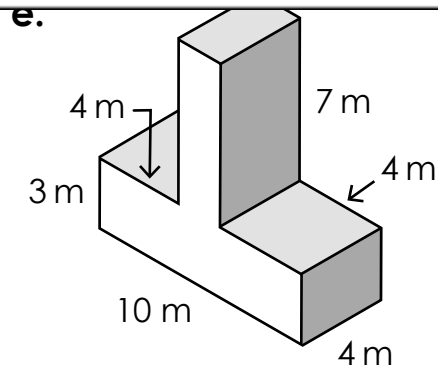
Find the volume of each solid figure.

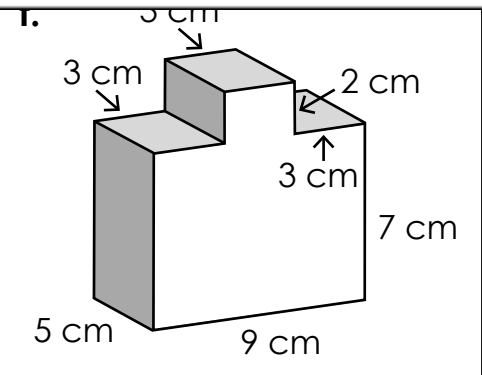


Preview

Please log in to download the printable version of this worksheet.



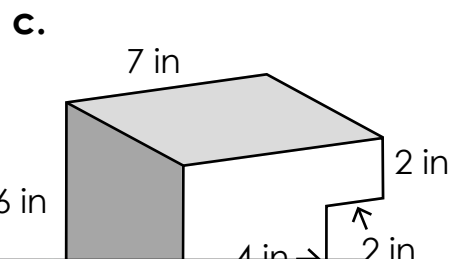
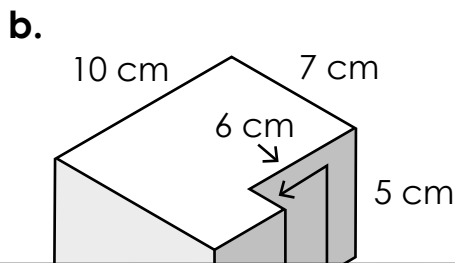
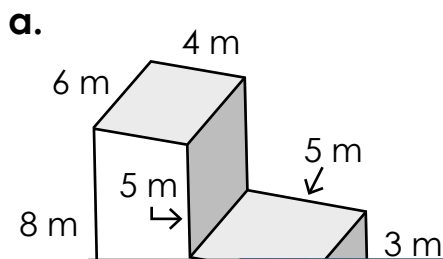




ANSWER KEY

Volume of Composite Figures

Find the volume of each solid figure.



Preview

Please log in to download the printable version of this worksheet.

d.

$$3 \times 3 \times 9 = 81 \text{ ft}^3$$

$$36 + 81 = 117 \text{ ft}^3$$

or

$$3 \times 3 \times 5 = 45 \text{ ft}^3$$

$$3 \times 4 \times 6 = 72 \text{ ft}^3$$

$$45 + 72 = 117 \text{ ft}^3$$

$$3 \times 4 \times 10 = 120 \text{ m}^3$$

$$56 + 120 = 176 \text{ m}^3$$

or

$$2 \times 4 \times 10 = 80 \text{ m}^3$$

$$3 \times 4 \times 4 = 48 \text{ m}^3$$

$$3 \times 4 \times 4 = 48 \text{ m}^3$$

$$80 + 48 + 48 = 176 \text{ m}^3$$

$$5 \times 7 \times 9 = 315 \text{ cm}^3$$

$$30 + 315 = 345 \text{ cm}^3$$

or

$$3 \times 5 \times 7 = 105 \text{ cm}^3$$

$$3 \times 5 \times 9 = 135 \text{ cm}^3$$

$$3 \times 5 \times 7 = 105 \text{ cm}^3$$

$$105 + 135 + 105 = 345 \text{ cm}^3$$