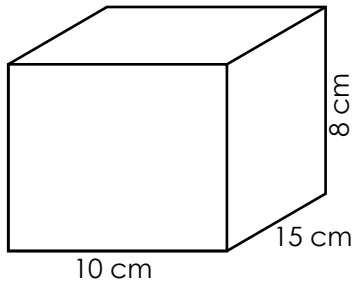


Name: _____

Surface Area

Find the surface area of the following figures.



surface area = _____

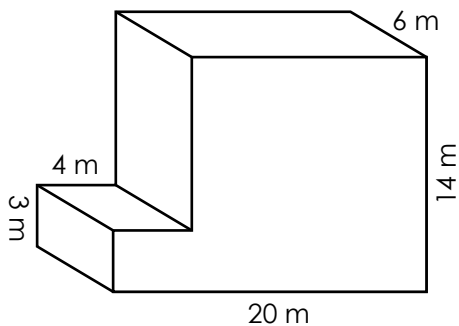
Work Space



~ PREVIEW ~

Please log in or register to download the printable version of this worksheet.

surface area = _____

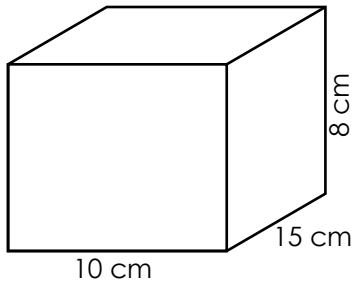


surface area = _____

ANSWER KEY

Surface Area

Find the surface area of the following figures.



Work Space

$$\begin{array}{r} 8 \text{ cm} \times 10 \text{ cm} = 80 \text{ cm}^2 \\ 8 \text{ cm} \times 10 \text{ cm} = 80 \text{ cm}^2 \\ 10 \text{ cm} \times 15 \text{ cm} = 150 \text{ cm}^2 \\ 10 \text{ cm} \times 15 \text{ cm} = 150 \text{ cm}^2 \\ 15 \text{ cm} \times 8 \text{ cm} = 120 \text{ cm}^2 \\ 15 \text{ cm} \times 8 \text{ cm} = + 120 \text{ cm}^2 \\ \hline 700 \text{ cm}^2 \end{array}$$



~ PREVIEW ~

Please log in or register to download
the printable version of this worksheet.

surface area = 700 cm²