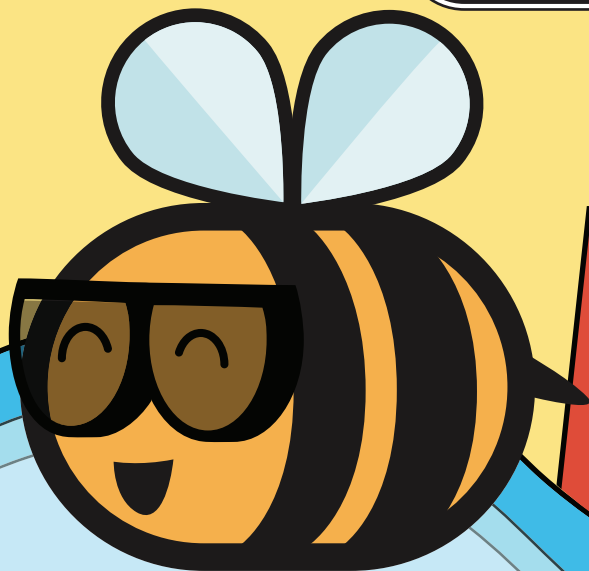




# Super Teacher Summer Packet

**Summer Buzz**

Comprehensive Practice  
Week One Packet



Math

ELA

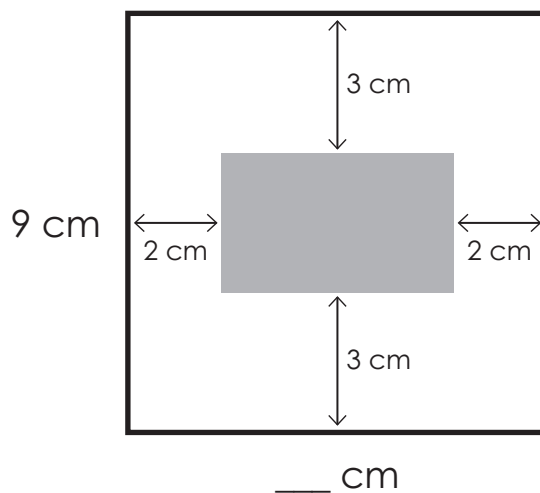
Grade  
**4**

**Daily Word Problem**

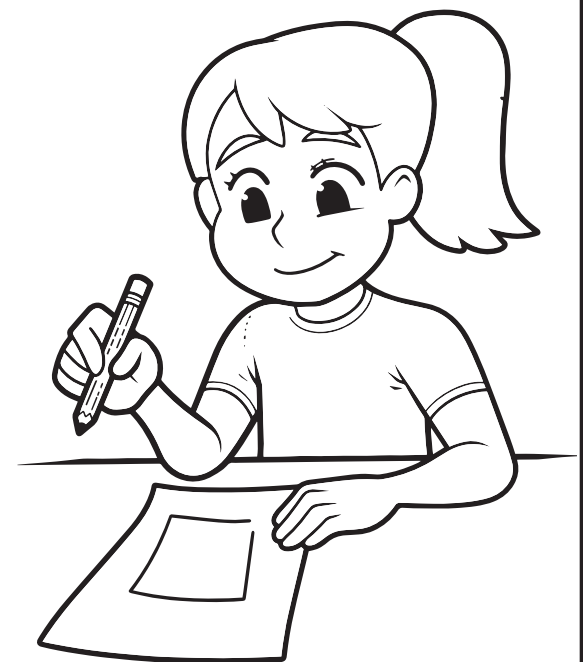
Rylee drew a square.

Then she drew a rectangle in the middle of it.

Use the diagram below to help you find the area of the shaded rectangle.



Show your work.



answer: \_\_\_\_\_

### Conjunctions

A conjunction is a word that is used to combine sentences, phrases, or words.

Writers will often use conjunctions to combine two short sentences into one longer sentence.

The three most common conjunctions are **and**, **but**, and **or**.



**Choose the best conjunction to complete each sentence.**

1. Ashley has a peanut butter \_\_\_\_\_ jelly sandwich in her lunch box.
2. Lindsay \_\_\_\_\_ Jennifer are sisters.
3. Sean wanted to learn to play the guitar, \_\_\_\_\_ his mother wanted him to learn piano.
4. Greg studied for his spelling test, \_\_\_\_\_ he still didn't get an A.
5. Would you rather eat a hot dog \_\_\_\_\_ hamburger for dinner?
6. When I grow up, I think I want to be an electrician \_\_\_\_\_ a plumber.
7. Georgie was going to clean the house, \_\_\_\_\_ she's too tired.
8. The grass is very long \_\_\_\_\_ I have to mow it.
9. Which is your favorite holiday, Halloween \_\_\_\_\_ Thanksgiving?
10. We earned twenty-two dollars selling lemonade \_\_\_\_\_ cookies.

### Vertebrates and Invertebrates

Cut out the pictures of the animals at the bottom of the page.  
Glue each into the correct column.

Vertebrates	Invertebrates



manatee



starfish



jellyfish



dolphin



seahorse



snail



blue whale



squid



hammerhead  
shark

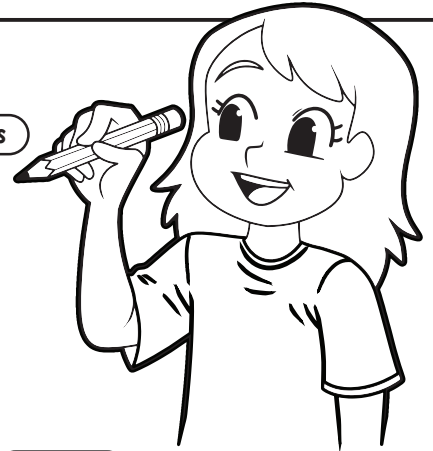


octopus

### Fix the Sentences

My teacher does'nt like when i rite with a pen.

3 errors



I haded to go to the store to get some new Pencils.

2 errors

### Fix the Sentences

The Remote for the television wasnt' werking.

3 errors

dad had two replace the batteries.

3 errors



### Secret Code Math

Subtraction with Borrowing: 2-Digit Numbers

Decode the numbers and find the differences.

1



2



3



4



5



6



7



8



9



0



a. Code Numbers

Regular Numbers

$$\begin{array}{r} \diamond \star \\ - \textcircled{\text{smiley}} \text{⚡} \\ \hline \end{array}$$

$$\begin{array}{r} 62 \\ - 34 \\ \hline \end{array}$$

b. Code Numbers

Regular Numbers

$$\begin{array}{r} \uparrow \square \\ - \diamond \text{⚡} \\ \hline \end{array}$$

c. Code Numbers

Regular Numbers

$$\begin{array}{r} * \text{smiley} \\ - \star * \\ \hline \end{array}$$

d. Code Numbers

Regular Numbers

$$\begin{array}{r} \heartsuit \textcircled{\text{smiley}} \\ - \star \diamond \\ \hline \end{array}$$

e. Code Numbers

Regular Numbers

$$\begin{array}{r} \textcircled{\text{smiley}} \text{⚡} \\ - \text{smiley} \heartsuit \\ \hline \end{array}$$

f. Code Numbers

Regular Numbers

$$\begin{array}{r} \text{⚡} * \\ - \text{⚡} \heartsuit \\ \hline \end{array}$$

[www.superteacherworksheets.com/summer-buzz/](http://www.superteacherworksheets.com/summer-buzz/)

Sign up to access  
over **25,000**  
printable activities!

**Only \$24.95**

For an Individual Subscription Per Year

