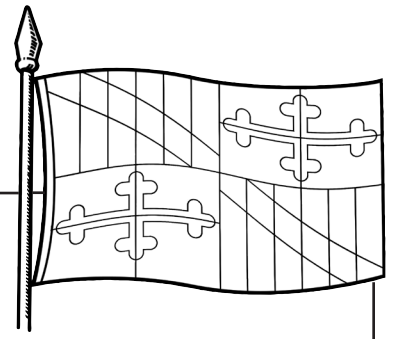


Name: \_\_\_\_\_



# Maryland Word Scramble

Unscramble the words.

1. **o a n i s A l p n**

**clue:** state capital

\_\_\_\_\_

2. **n a e k B c o b** **n a t u M i n o**

**clue:** highest point

\_\_\_\_\_

3. **k a l b c - d y e e** **a n s s u**

**clue:** state flower

\_\_\_\_\_



**Preview**  
Please log in to download the printable version of this worksheet.

**clue:** state nickname

7. **o e l B t m a r i** **e i r o l o**

**clue:** state bird

\_\_\_\_\_

8. **a t m P c o o** **v R e r i**

**clue:** bordering river

\_\_\_\_\_

9. **h e t i w** **a o k**

**clue:** state tree

\_\_\_\_\_

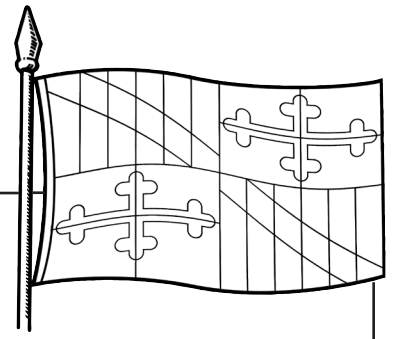
10. **r t e l a i m B o**

**clue:** largest city

\_\_\_\_\_

## ANSWER KEY

# Maryland Word Scramble



Unscramble the words.

1. **o a n i s A l p n**

*clue: state capital*

**Annapolis**

2. **n a e k B c o b** **n a t u M i n o**

*clue: highest point*

**Backbone Mountain**

3. **k a l b c - d y e e** **a n s s u**

*clue: state flower*

**black-eyed susan**



# Preview

Please log in to download  
the printable version of this worksheet.

*clue: state nickname*

7. **o e l B t m a r i** **e i r o l o**

*clue: state bird*

**Baltimore oriole**

8. **a t m P c o o** **v R e r i**

*clue: bordering river*

**Potomac River**

9. **h e t i w** **a o k**

*clue: state tree*

**white oak**

10. **r t e l a i m B o**

*clue: largest city*

**Baltimore**