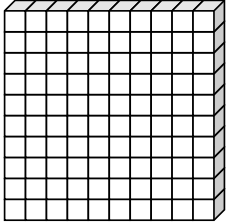
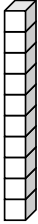


Name: _____


Place Value



One Hundred

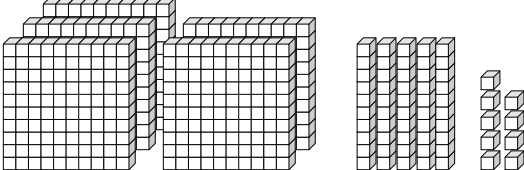


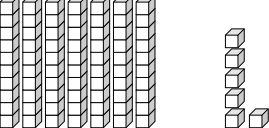
Ten

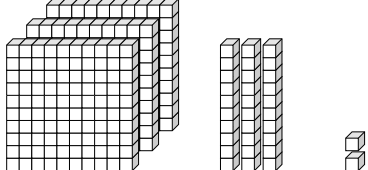


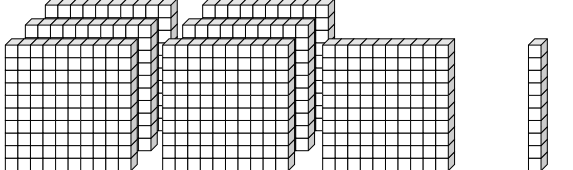
One

Write each number in standard form.

a. 

b. 

c. 

d. 

e. $400 + 50 + 3$

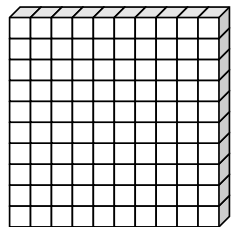
f. $900 + 10 + 3$

g. $60 + 6$

h. $800 + 20$

ANSWER KEY

Place Value



One Hundred

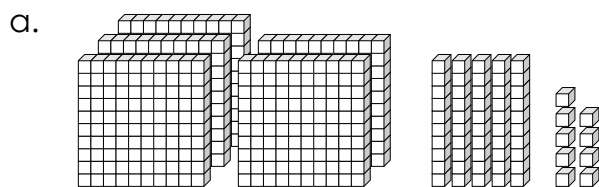


Ten

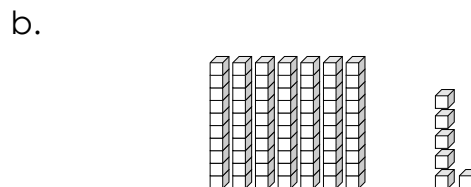


One

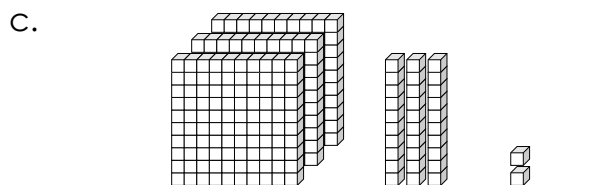
Write each number in standard form.



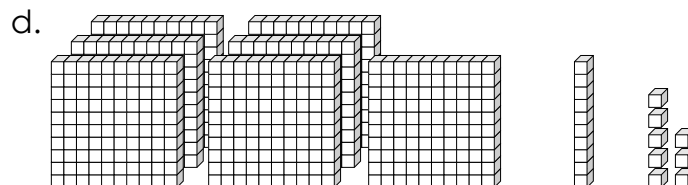
559



76



332



718

e. $400 + 50 + 3$

453

f. $900 + 10 + 3$

913

g. $60 + 6$

66

h. $800 + 20$

820
