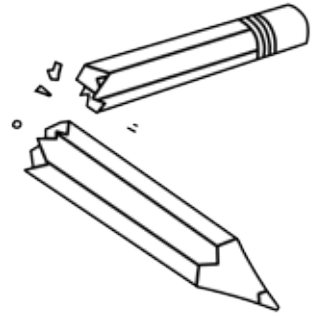
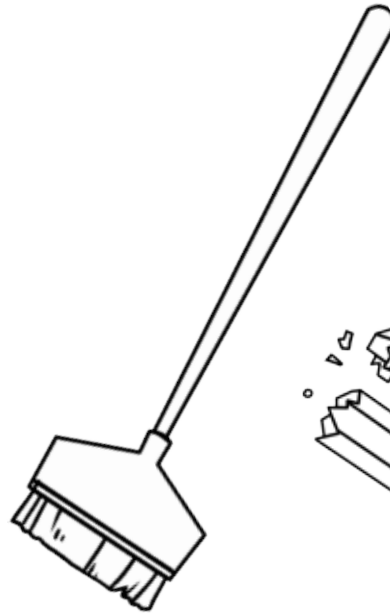


Name: _____

Phonics Blend: **Br**

Sentences With Br- Words



Preview

Please log in to download
the printable version of this worksheet.

1. The bird is on the tree _____.
2. My pencil is _____.
3. She can sweep with a _____.
4. I will _____ my hair.