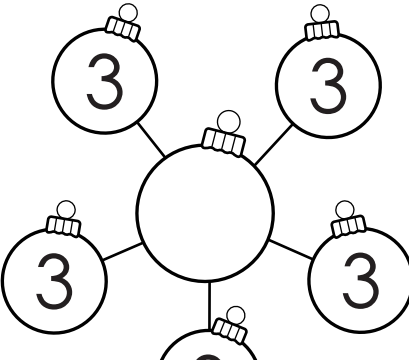
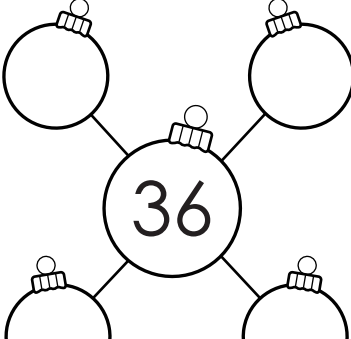
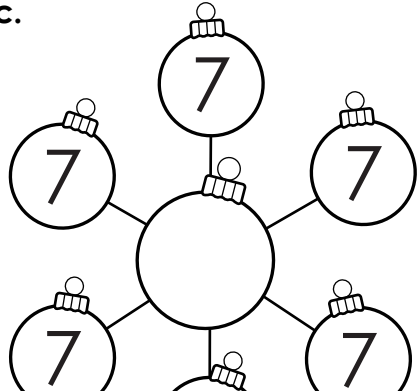


Name: _____

Christmas Ornament Number Bonds

Multiplication and Division


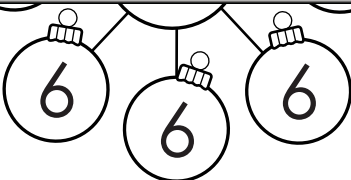
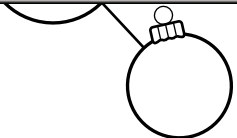
Use multiplication and division to fill in the missing numbers of each ornament number bond.

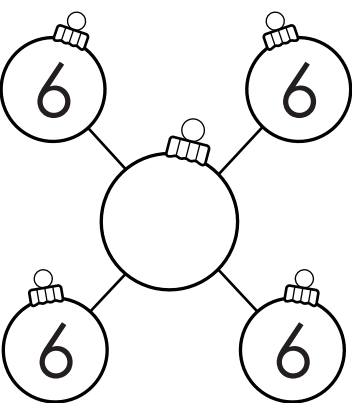
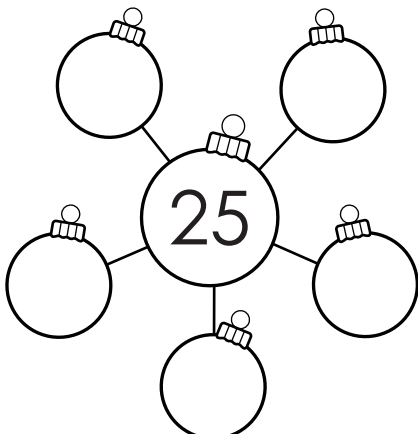
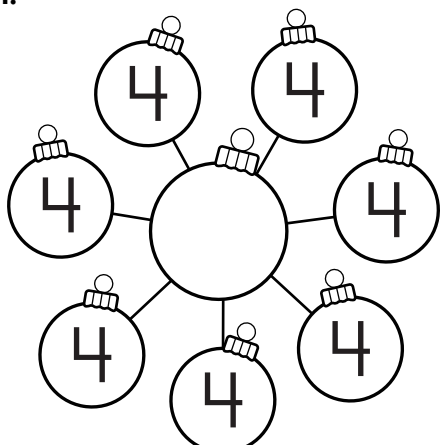
a.  b.  c. 



Preview

Please log in to download the printable version of this worksheet.

g.  h.  i. 

ANSWER KEY

Christmas Ornament Number Bonds

Multiplication and Division

Use multiplication and division to fill in the missing numbers of each ornament number bond.

a.



b.



c.



Preview

Please log in to download
the printable version of this worksheet.

