

Name: \_\_\_\_\_

Half Inch

# Measure the School Supplies

Use a ruler to measure the height of each object to the nearest half inch.



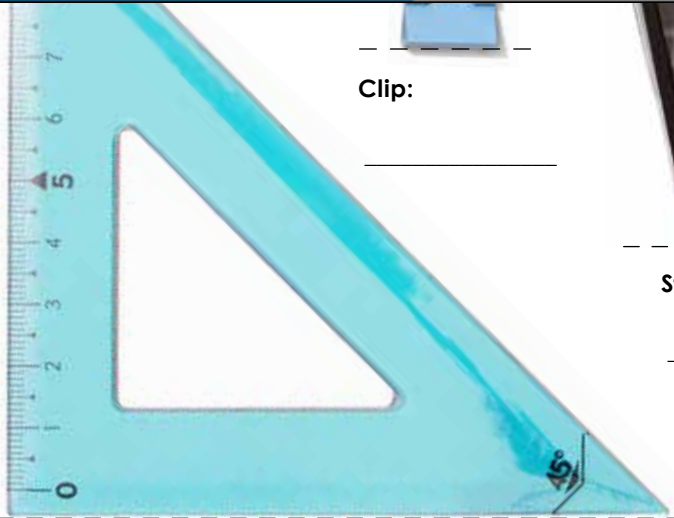
Eraser:

\_\_\_\_\_



## Preview

Please log in to download the printable version of this worksheet.



Triangle:

\_\_\_\_\_

Clip:

\_\_\_\_\_



Staple Remover:

\_\_\_\_\_

Pencil:

\_\_\_\_\_



Scissors:

\_\_\_\_\_

## Measure the School Supplies

Use a ruler to measure the height of each object to the nearest half inch.

**Important note:** Answers will vary depending on your computer's printer settings. Measurements may not be the same as the answers below.



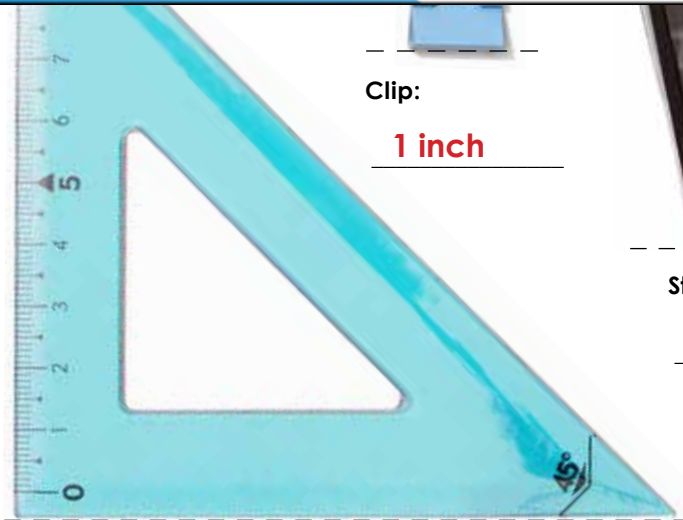
Eraser:

1½ inch



# Preview

Please log in to download the printable version of this worksheet.



Triangle:

3½ inches

Clip:

1 inch



Staple Remover:

2 inches



Pencil:

5 inches



Scissors:

4½ inches