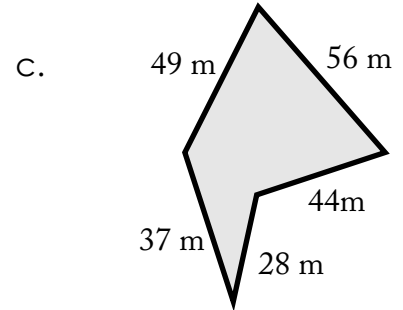
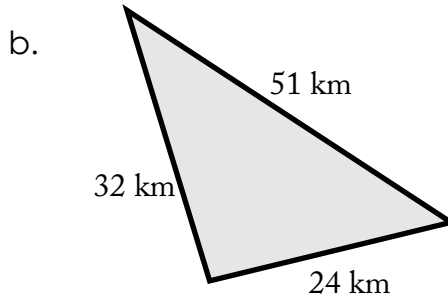
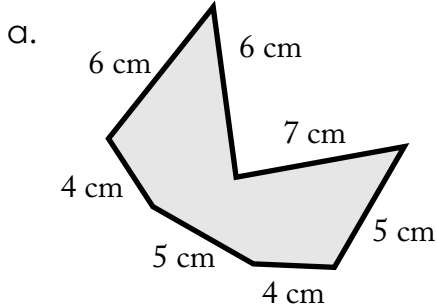


Name: \_\_\_\_\_

# Perimeter of a Polygon

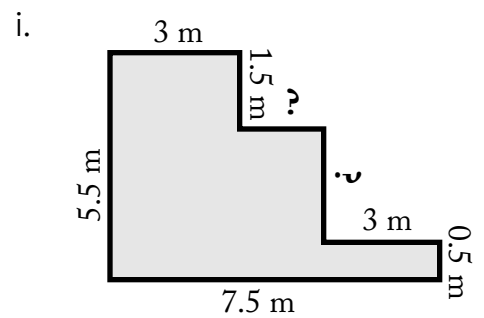
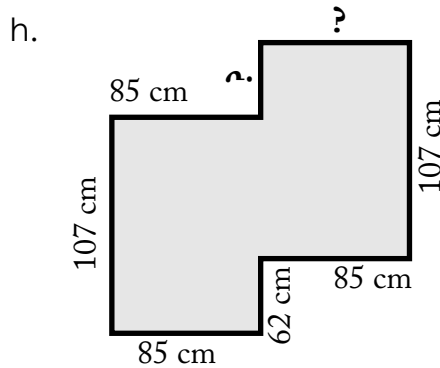
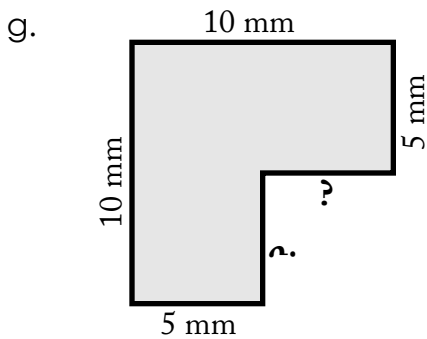
Find the perimeter of each polygon.



# Preview

Please log in to download the printable version of this worksheet.

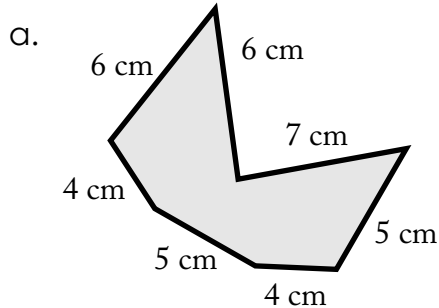
## ★ Challenge Problems:



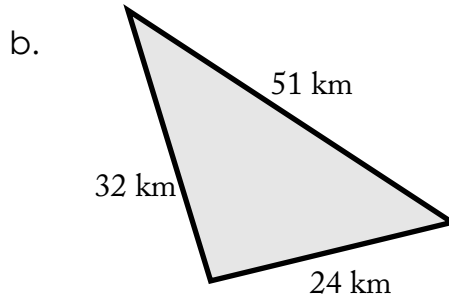
# ANSWER KEY

## Perimeter of a Polygon

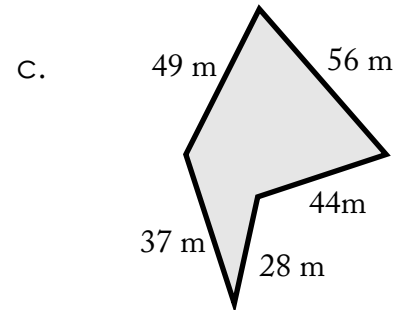
Find the perimeter of each polygon.



**37 cm**



**107 km**



**214 m**



# Preview

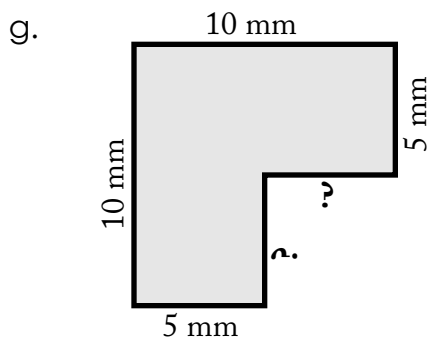
Please log in to download the printable version of this worksheet.

**57 mm**

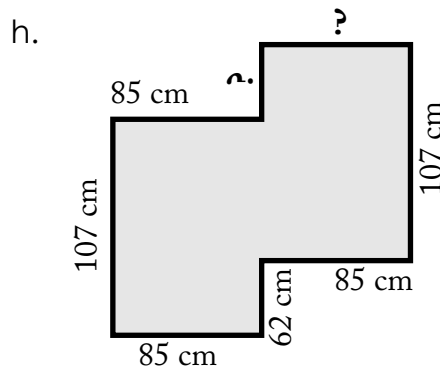
**111 m**

**$3\frac{3}{4}$  km**

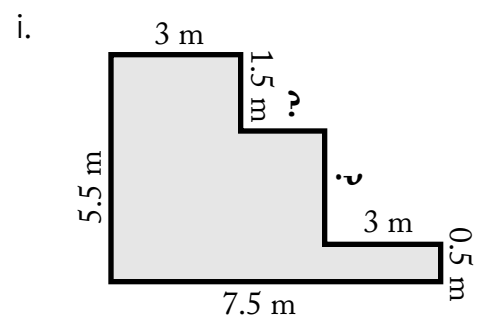
★ Challenge Problems:



**40 mm**



**678 cm**



**26 m**