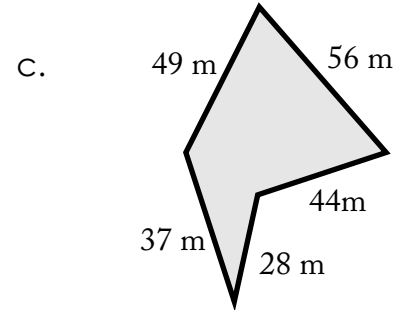
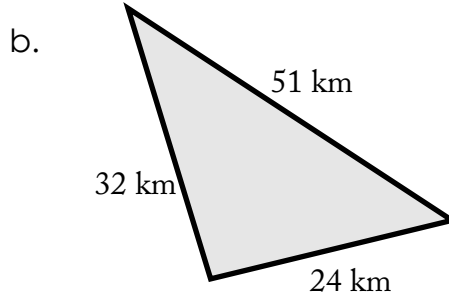
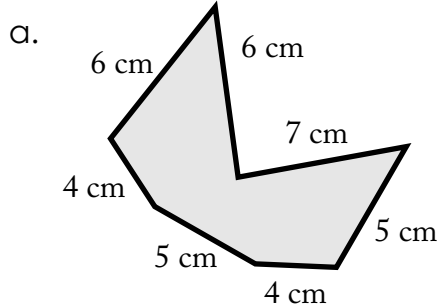


Name: _____

Perimeter of a Polygon

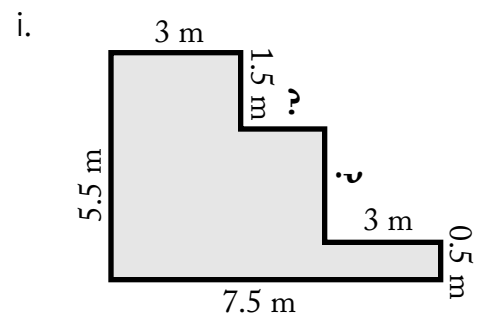
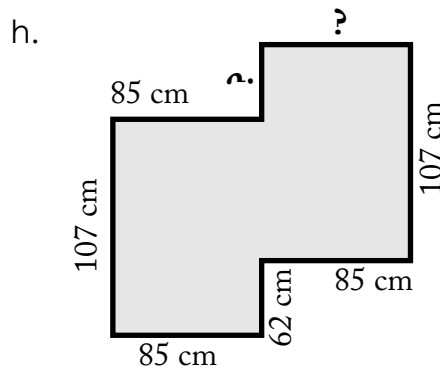
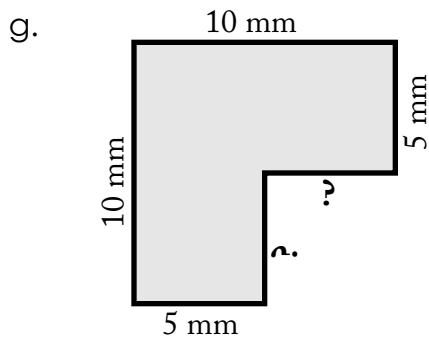
Find the perimeter of each polygon.



~ PREVIEW ~

Please log in or register to download the printable version of this worksheet.

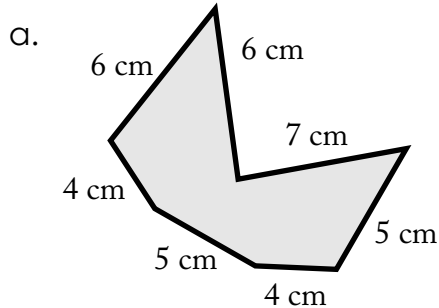
★ Challenge Problems:



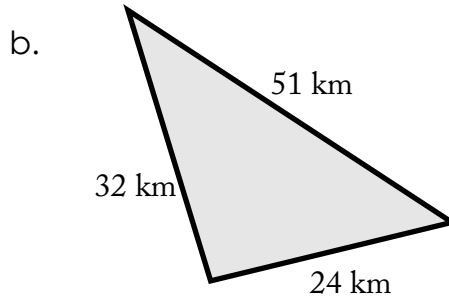
ANSWER KEY

Perimeter of a Polygon

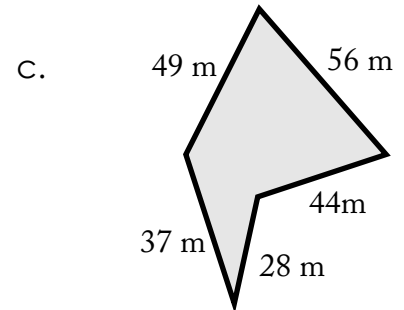
Find the perimeter of each polygon.



37 cm



107 km



214 m



~ PREVIEW ~

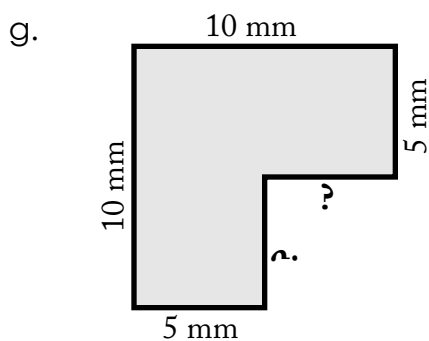
Please log in or register to download the printable version of this worksheet.

57 mm

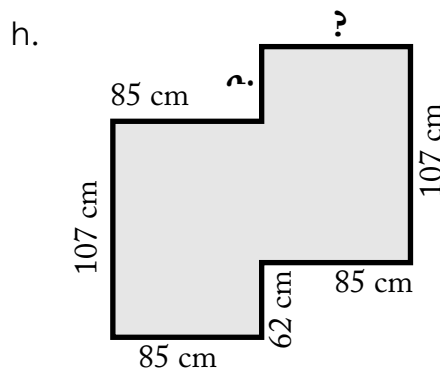
111 m

$3\frac{3}{4}$ km

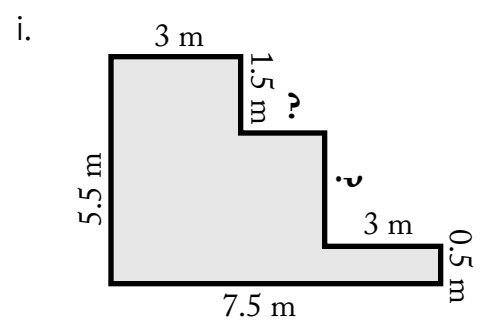
★ Challenge Problems:



40 mm



678 cm



26 m