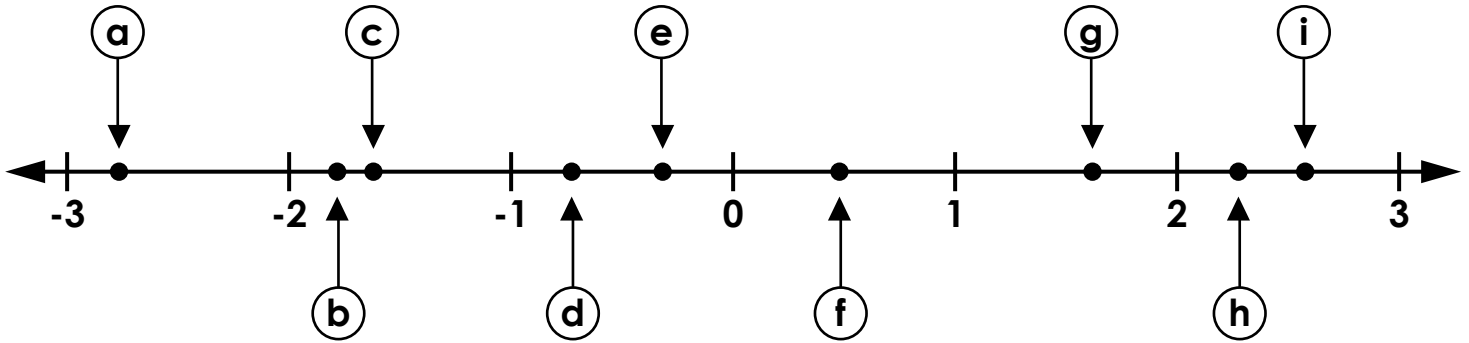


Name: \_\_\_\_\_

# Rational Numbers Number Line

Write the correct letter on the blank next to each number.



$-1\frac{2}{5}$

$\frac{1}{8}$

$-2\frac{4}{5}$



## Preview

Please log in to download the printable version of this worksheet.

Compare the numbers using  $<$ ,  $>$ , and  $=$ .

- |                                 |                                  |                             |
|---------------------------------|----------------------------------|-----------------------------|
| $\frac{2}{3}$ _____ $0.\bar{4}$ | $\frac{1}{8}$ _____ $0.12$       | $-1.5$ _____ $-\frac{7}{4}$ |
| $0$ _____ $-2.7$                | $3.\bar{6}$ _____ $\frac{11}{3}$ | $-0.\bar{5}$ _____ $-0.505$ |

Write the numbers in order from least to greatest.

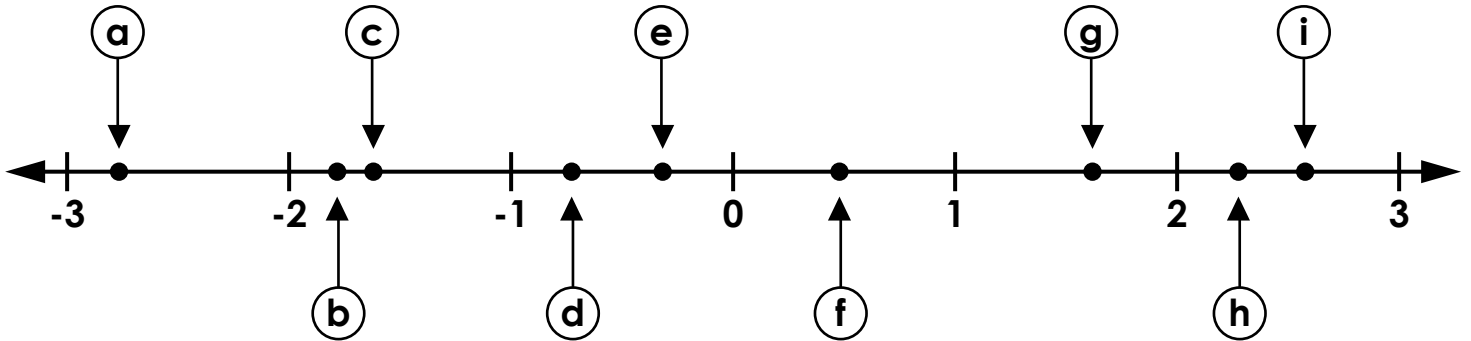
$0.\bar{2}$ ,  $-2.02$ ,  $0.2$ ,  $\frac{1}{2}$     \_\_\_\_\_

$-0.61$ ,  $1.06$ ,  $0.16$ ,  $-\frac{2}{3}$     \_\_\_\_\_

# ANSWER KEY

## Rational Numbers Number Line

Write the correct letter on the blank next to each number.



# Preview

Please log in to download  
the printable version of this worksheet.

