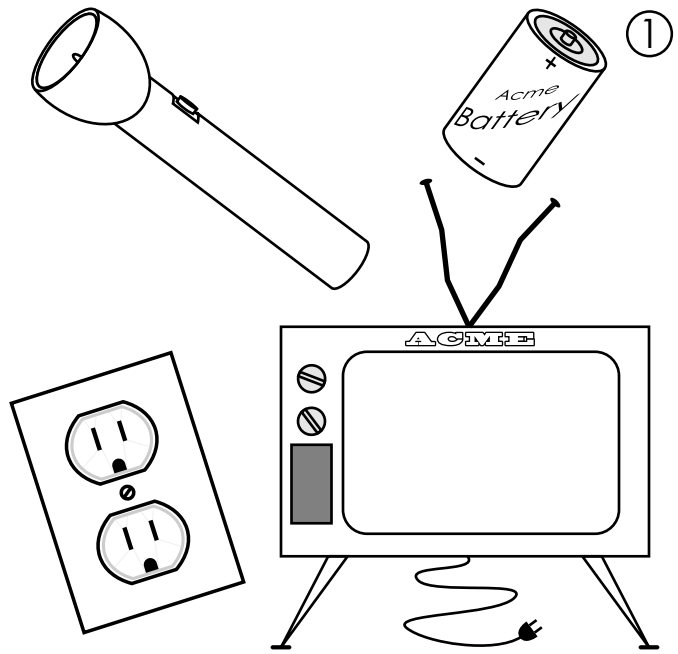
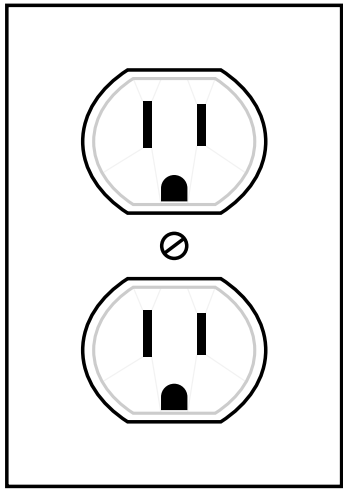


CURRENT ELECTRICITY

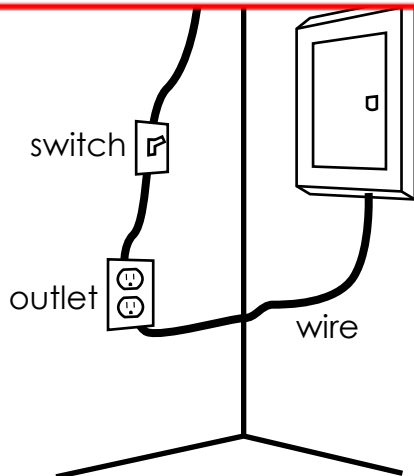


Electricity from the wall outlets in your house powers your television, computer, lights, and microwave.

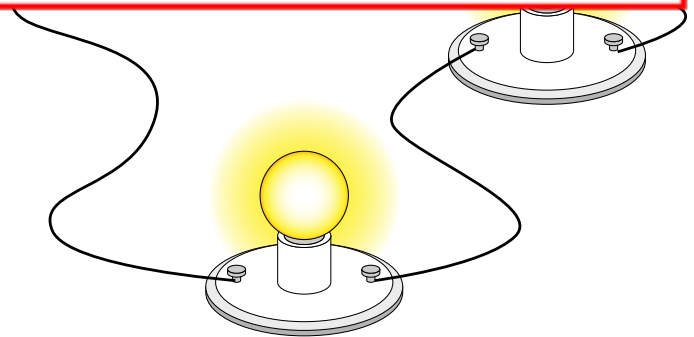


~ PREVIEW ~

Please log in or register to download the printable version of this worksheet.



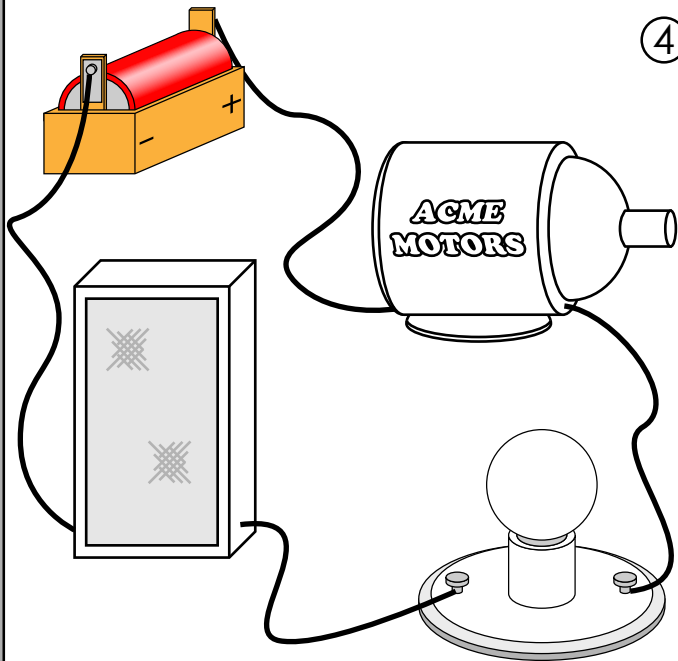
The type of electricity that is used to power things we use is called *current electricity*. Current electricity is electricity that flows through wires. The path that electricity follows is called a circuit.



The picture above shows a circuit. Electricity flows from the negative side of a battery, through the wires, and lights the bulb. The electricity continues to travel around to the positive side of the battery.

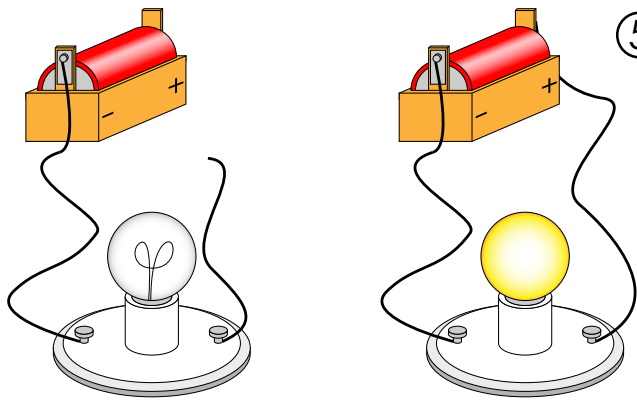
Draw arrows on the picture to show the path of the electricity.

4



Something that uses some of the electricity in a circuit is called a resistor. Resistors could also be things

5



A circuit can be open or closed. When a circuit is closed, it is complete and there is no break in the path that the charges must follow. When a circuit is open, it is incomplete and charges can't flow through.

STAPLE

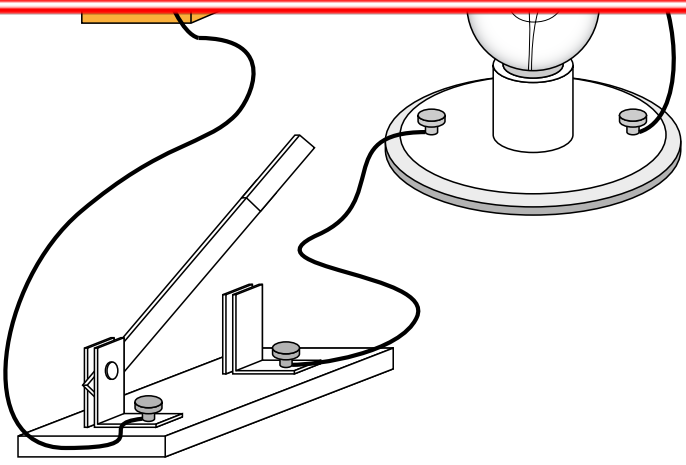
STAPLE



~ PREVIEW ~

Please log in or register to download the printable version of this worksheet.

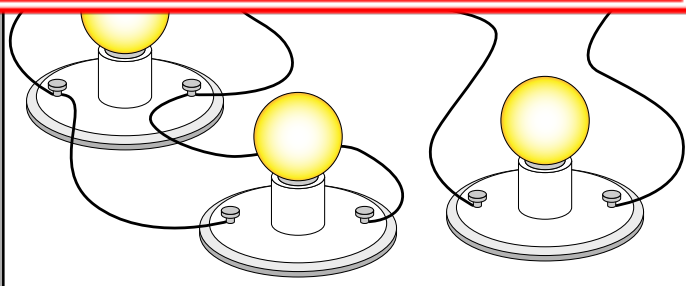
STAPLE



A switch is sometimes added to a circuit. The switch opens and closes a circuit to turn resistors on and off.

Color the switch in the circuit above.

STAPLE



In a *series circuit*, electricity can follow only one path. In a *parallel circuit*, electricity has more than one path to follow.

Label the two circuits above with the words "series circuit" or "parallel circuit."