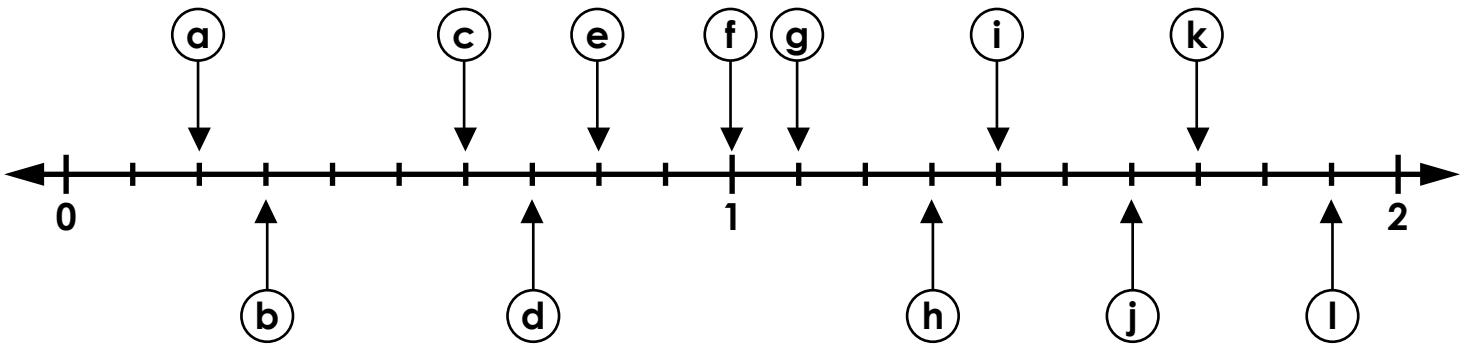


Name: _____

Decimal Number Line

Write the correct decimal on the blank line next to each letter.



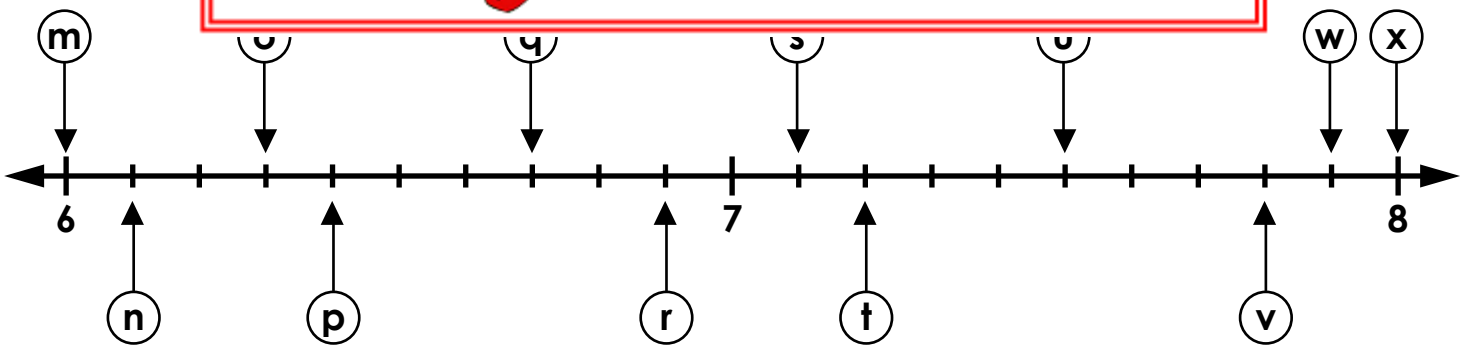
a. 0.2 b. _____ c. _____ d. _____

e. _____ f. _____ g. _____ h. _____

i. _____

PREVIEW

Please log in or register to download the printable version of this worksheet.



m. _____ n. _____ o. _____ p. _____

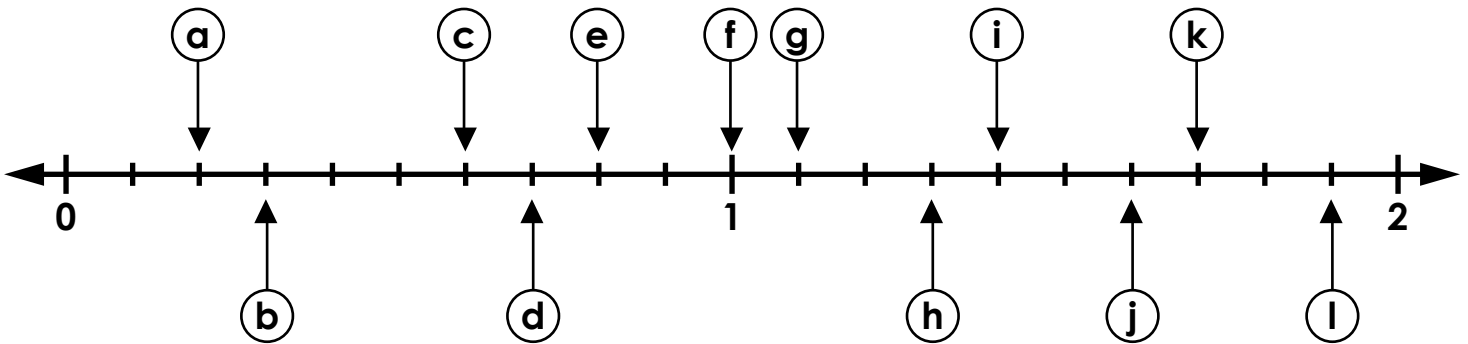
q. _____ r. _____ s. _____ t. _____

u. _____ v. _____ w. _____ x. _____

ANSWER KEY

Decimal Number Line

Write the correct decimal on the blank line next to each letter.



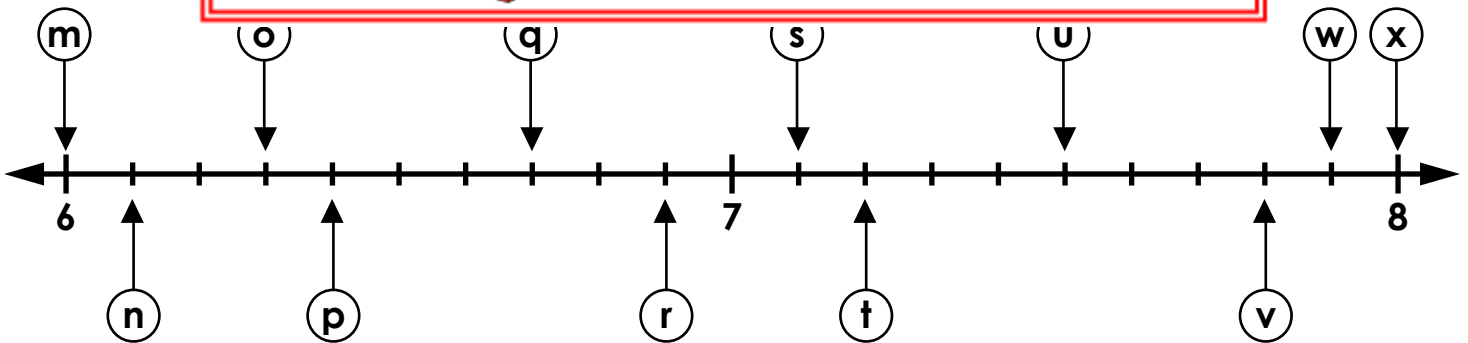
a. 0.2 b. 0.3 c. 0.6 d. 0.7

e. 0.8 f. 1.0 g. 1.1 h. 1.3

i. 1.9

PREVIEW

Please log in or register to download the printable version of this worksheet.



m. 6.0 n. 6.1 o. 6.3 p. 6.4

q. 6.7 r. 6.9 s. 7.1 t. 7.2

u. 7.5 v. 7.8 w. 7.9 x. 8.0