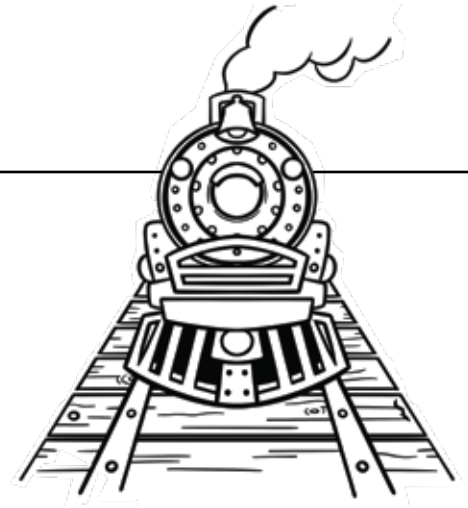


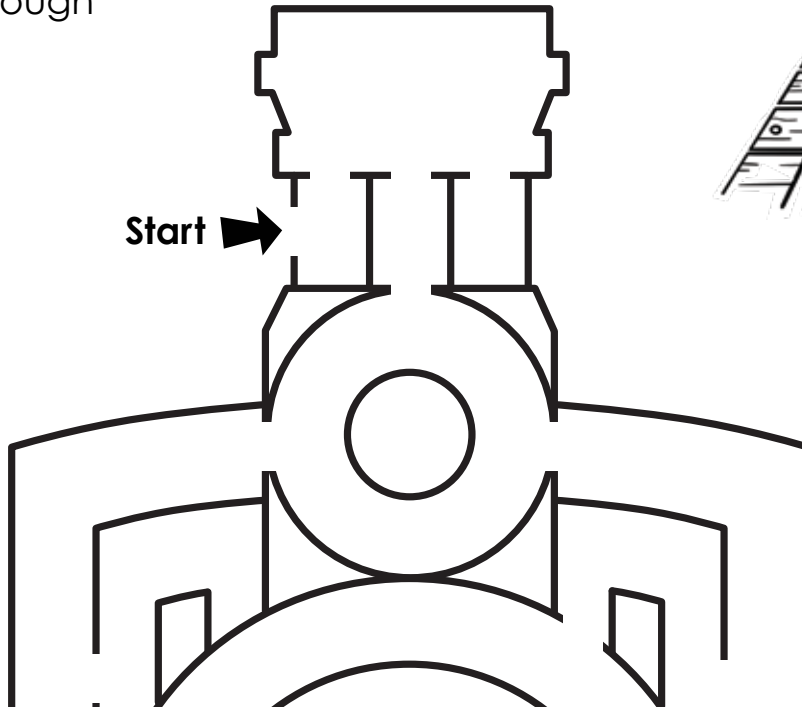
Name: _____

Train Maze

Find your way through the train.

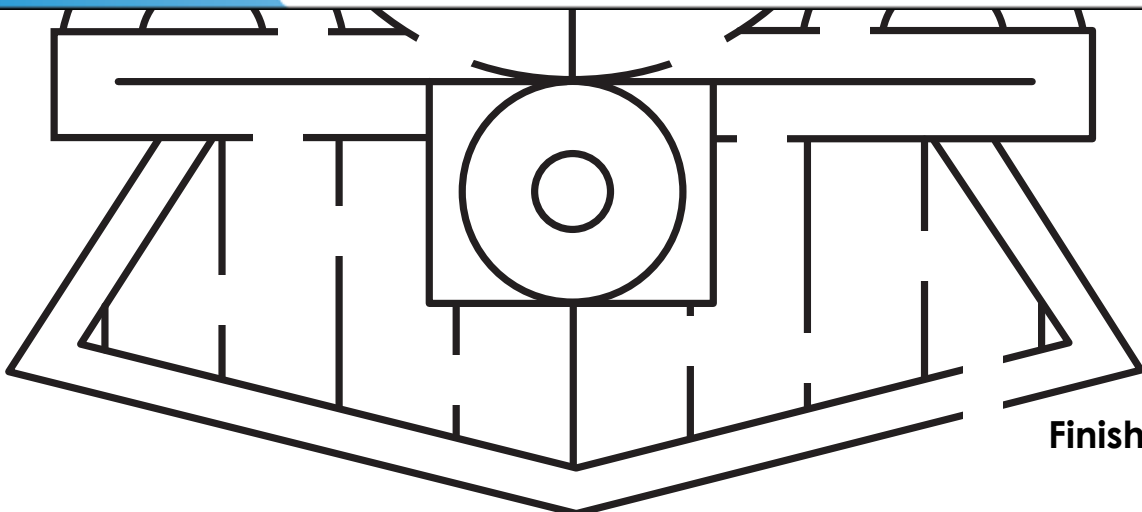


Start →



Preview

Please log in to download the printable version of this worksheet.



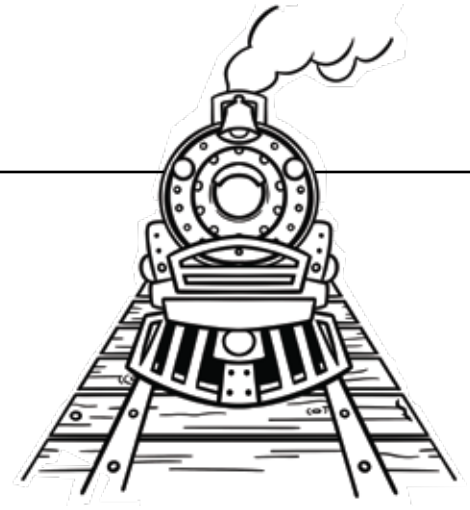
Finish



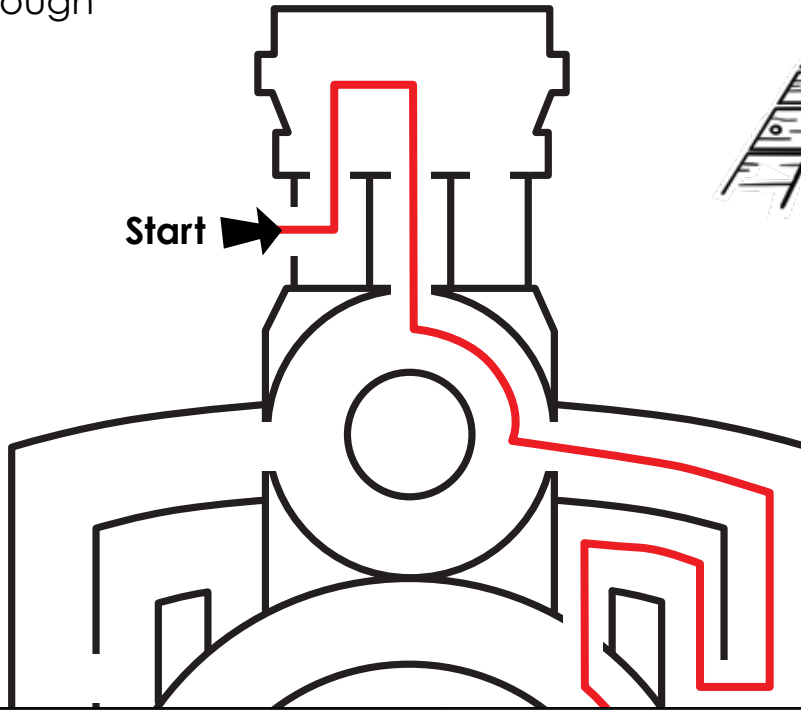
ANSWER KEY

Train Maze

Find your way through the train.

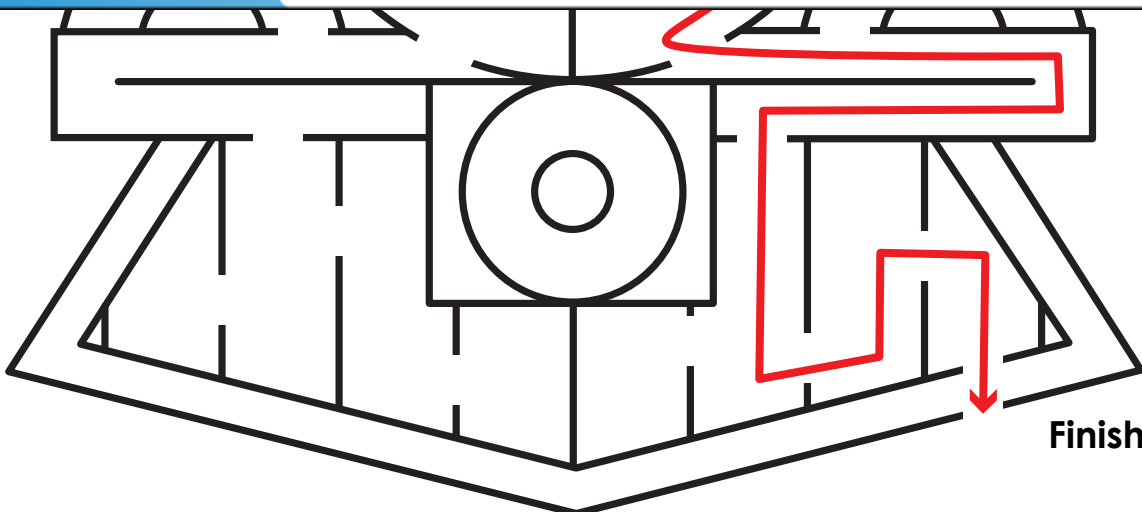


Start



Preview

Please log in to download the printable version of this worksheet.



Finish