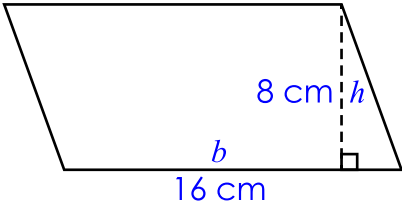


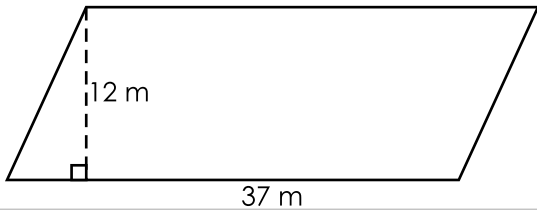
Name: _____

Area of a Parallelogram



$A = bh$
 $A = 16 \text{ cm}(8 \text{ cm})$
 $A = 128 \text{ cm}^2$

Find the areas of the parallelograms.

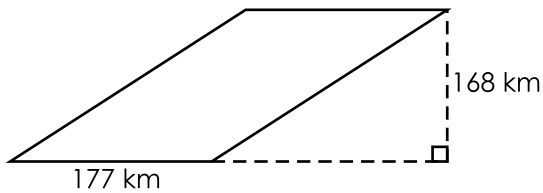


A = _____

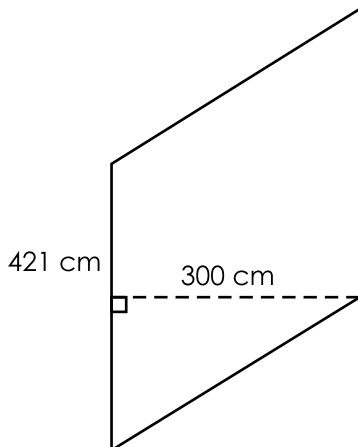


Preview

Please log in to download the printable version of this worksheet.



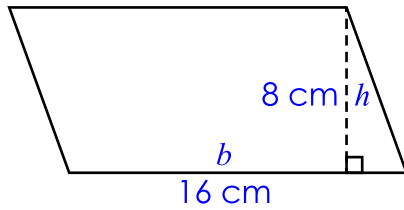
A = _____



A = _____

ANSWER KEY

Area of a Parallelogram

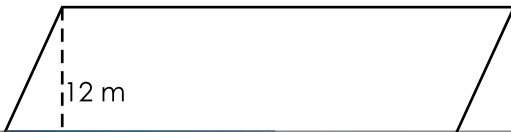


$$A = bh$$

$$A = 16 \text{ cm}(8 \text{ cm})$$

$$A = 128 \text{ cm}^2$$

Find the areas of the parallelograms.



Preview

Please log in to download
the printable version of this worksheet.

