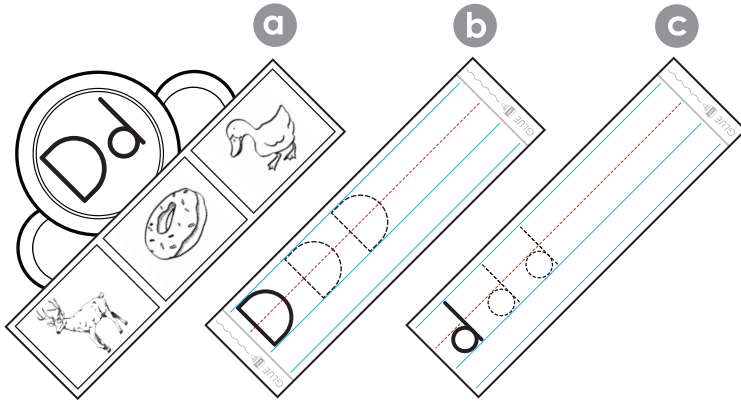


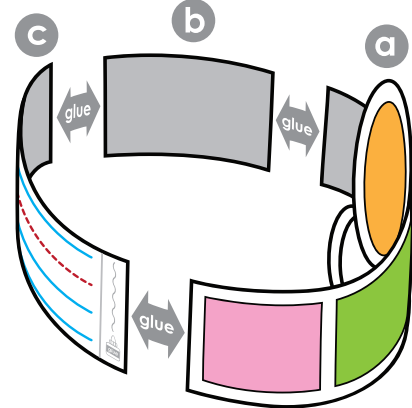
# Alphabet Crown

Letter D

**Step 1:** Print the crown on cardstock paper and cut along the bold black line.

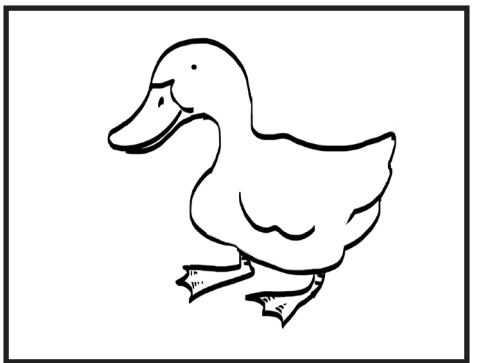
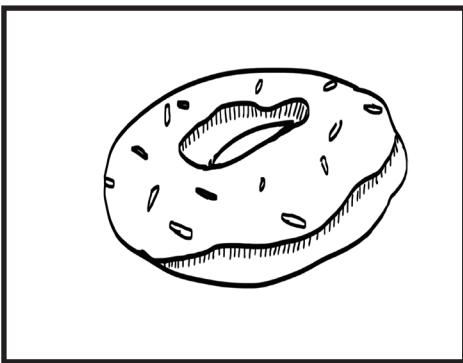
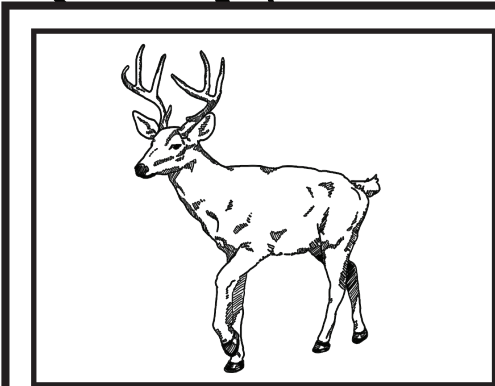


**Step 2:** Color your crown. Then glue along the marked tabs and attach.



**Preview**

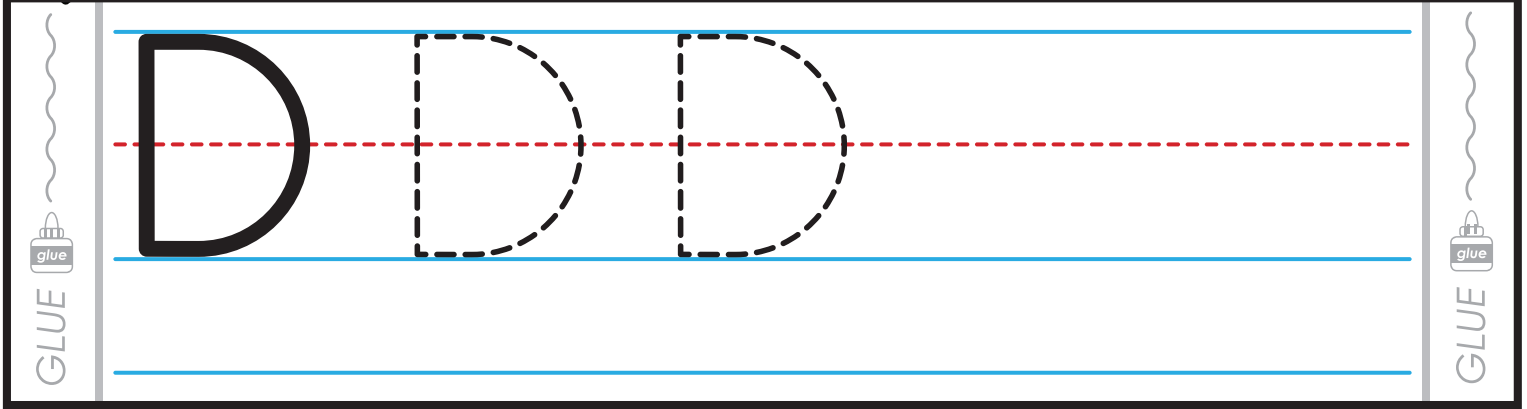


Please log in to download the printable version of this worksheet.



# Alphabet Crown


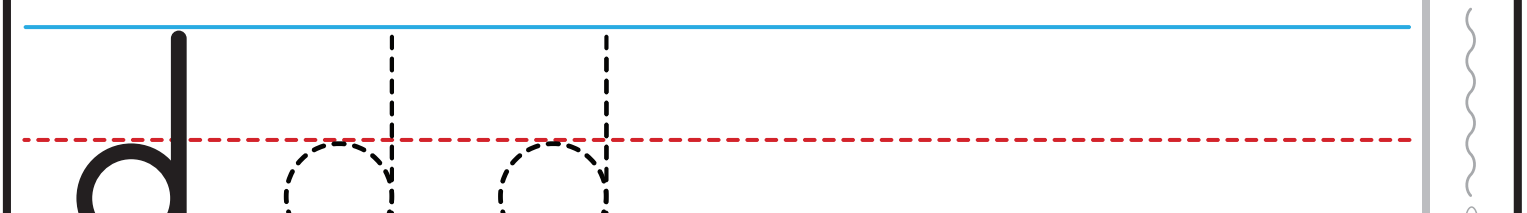


Letter D

GLUE



GLUE

GLUE



**Preview**

Please log in to download  
the printable version of this worksheet.

GLUE