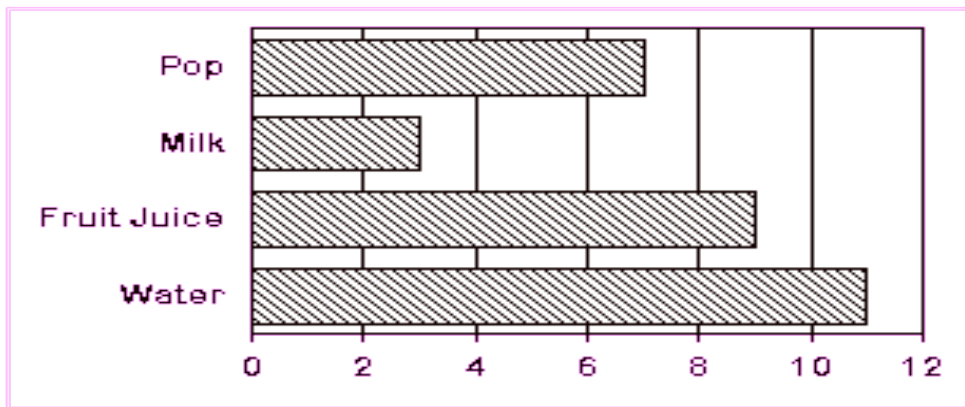


Name: _____

Reading a Horizontal Bar Graph

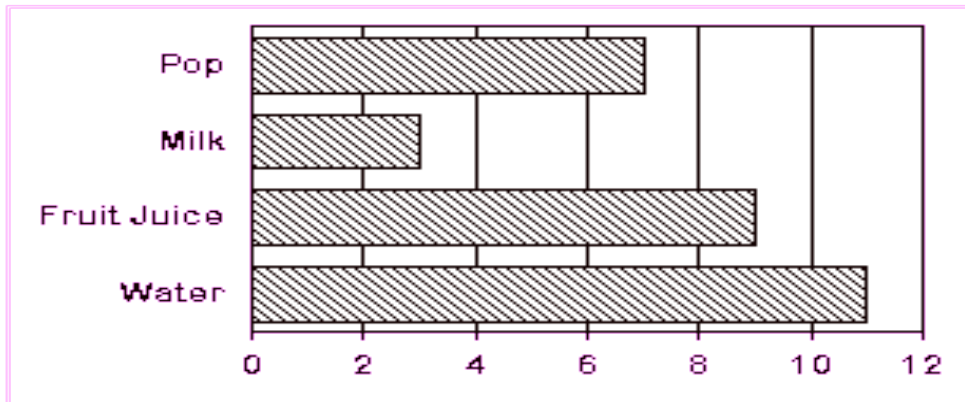
Favorite Drinks



1. At the end of each bar, write the correct number of votes.
2. How many students chose pop as their favorite drink? 2. _____
3. How many students voted in all? 3. _____
Show your work below and label your answer.
4. How many more students voted for water than milk? 4. _____
Show your work below and label your answer.
5. How many more students voted for fruit juice than milk? 5. _____
Show your work below and label your answer.
6. If two more people voted for fruit juice, how many votes would fruit juice have? 6. _____
7. If two more people voted for pop, would pop be the drink with the most votes? 7. _____

Reading a Horizontal Bar Graph : Answer Key

Favorite Drinks



1. At the end of each bar, write the correct number of votes.
2. How many students chose pop as their favorite drink? 2. 7 students
3. How many students voted in all? 3. 30 students
Show your work below and label your answer.
4. How many more students voted for water than milk? 4. 8 students
Show your work below and label your answer.
5. How many more students voted for fruit juice than milk? 5. 6 students
Show your work below and label your answer.
6. If two more people voted for fruit juice, how many votes would fruit juice have? 6. 11 votes
7. If two more people voted for pop, would pop be the drink with the most votes? 7. No