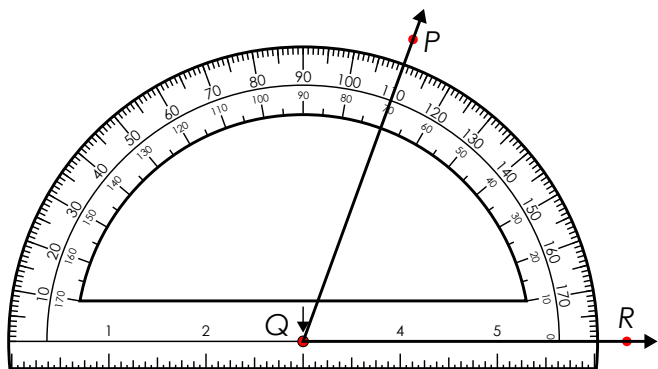


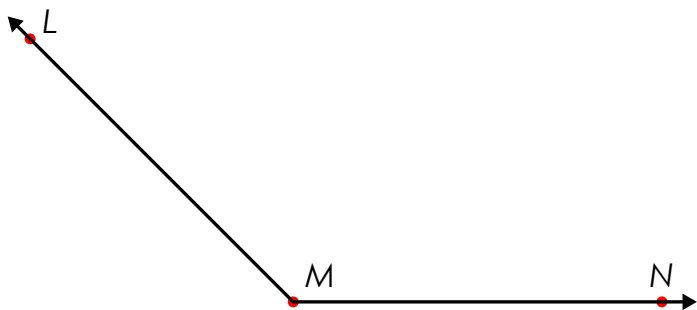
Name: _____

Using a Protractor

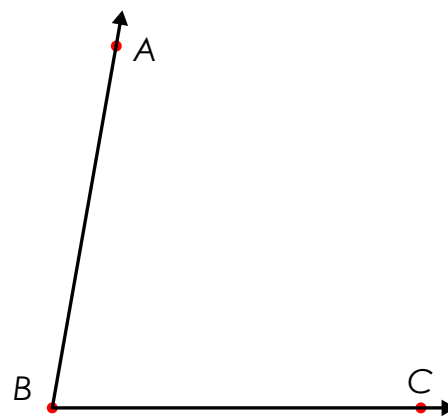


The protractor's arrow and pen hole is placed on the angle's vertex. The 0° line is placed over one side of the angle. Read the measure where the other leg of the angle intersects the protractor.

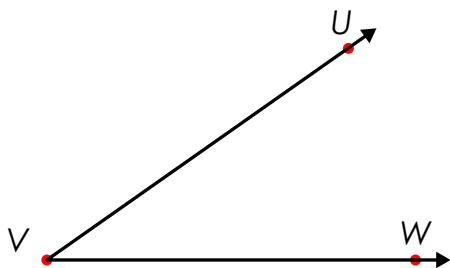
$\angle PQR$ measures 70° .



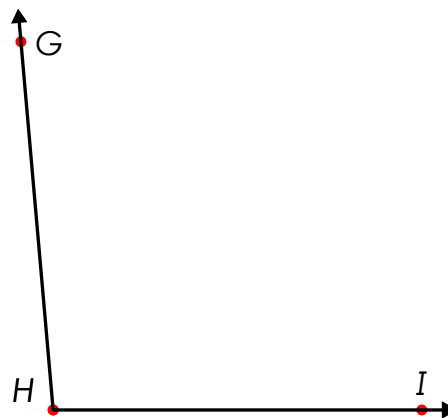
$\angle LMN =$ _____



$\angle ABC =$ _____



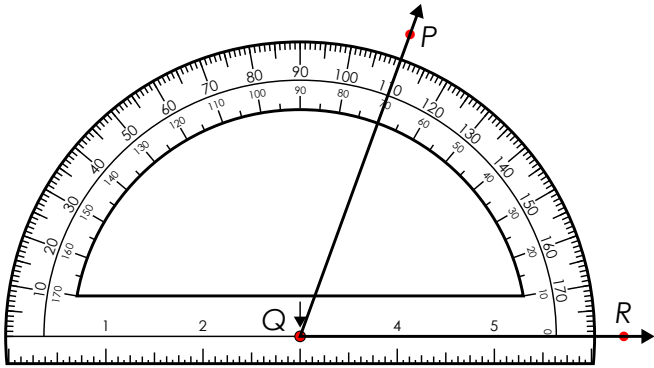
$\angle UVW =$ _____



$\angle GHI =$ _____

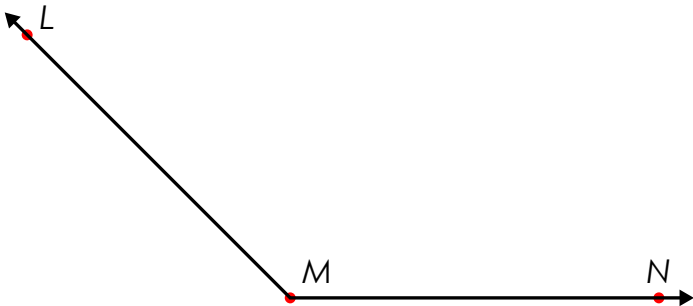
ANSWER KEY

Using a Protractor

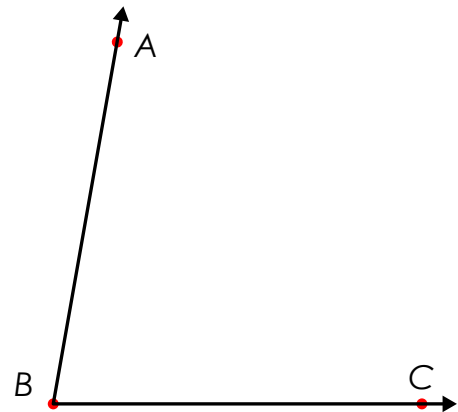


The protractor's arrow and pen hole is placed on the angle's vertex. The 0° line is placed over one side of the angle. Read the measure where the other leg of the angle intersects the protractor.

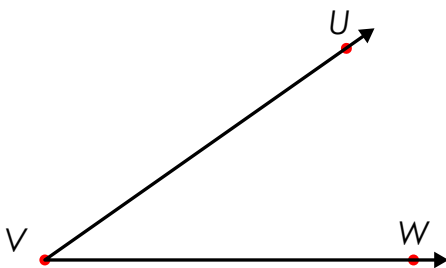
$\angle PQR$ measures 70° .



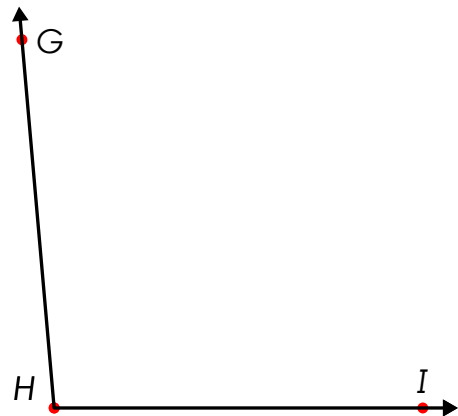
$$\angle LMN = \underline{135^\circ}$$



$$\angle ABC = \underline{80^\circ}$$



$$\angle UVW = \underline{35^\circ}$$



$$\angle GHI = \underline{95^\circ}$$