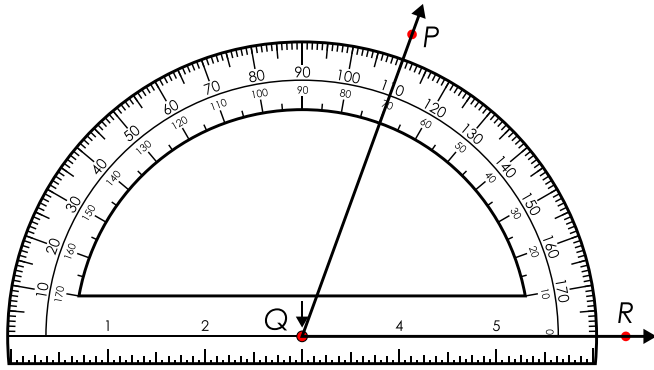


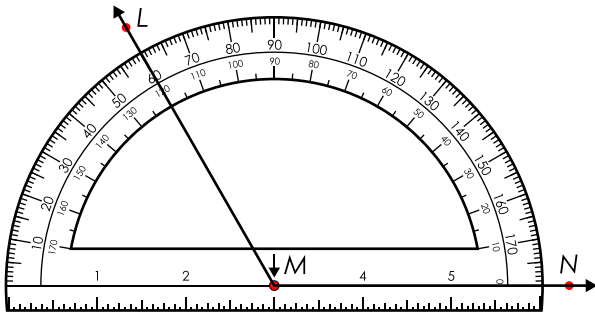
Name: \_\_\_\_\_

# Using a Protractor

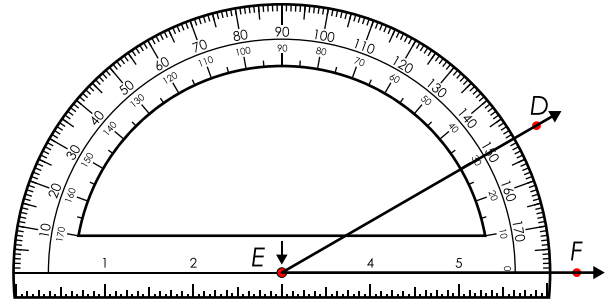


The protractor's arrow and pen hole is placed on the angle's vertex. The 0° line is placed over one side of the angle. Read the measure where the other leg of the angle intersects the protractor.

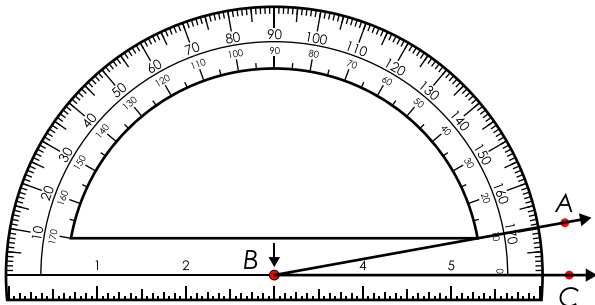
$\angle PQR$  measures 70°.



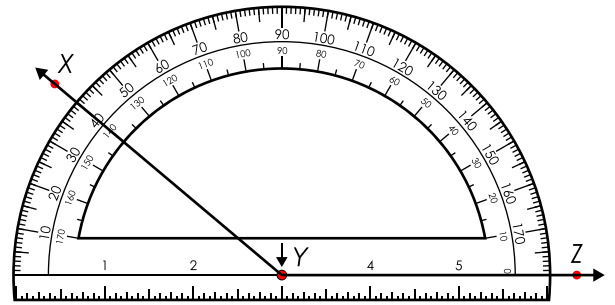
$\angle LMN =$  \_\_\_\_\_



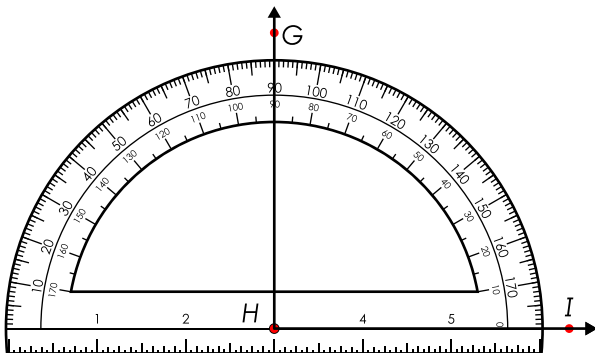
$\angle DEF =$  \_\_\_\_\_



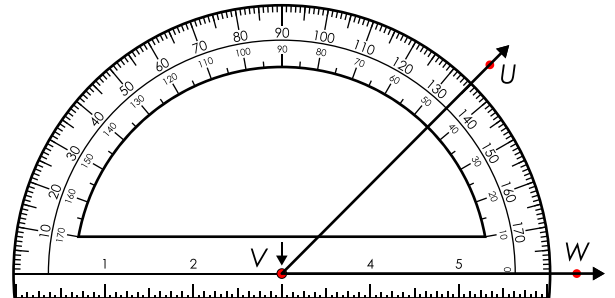
$\angle ABC =$  \_\_\_\_\_



$\angle XYZ =$  \_\_\_\_\_



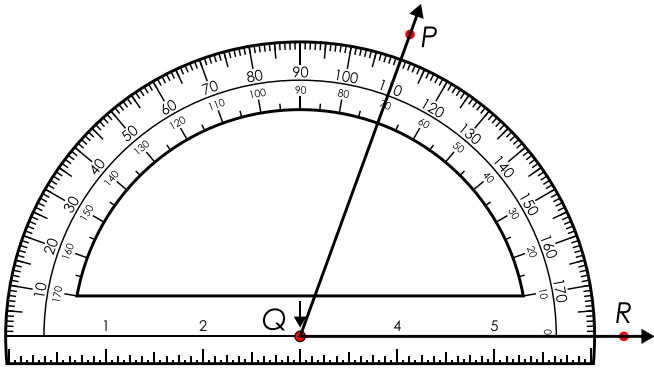
$\angle GHI =$  \_\_\_\_\_



$\angle UVW =$  \_\_\_\_\_

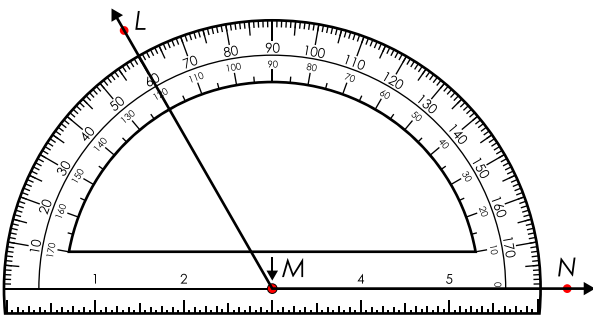
# ANSWER KEY

## Using a Protractor

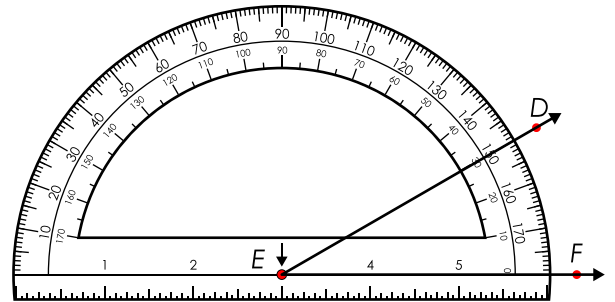


The protractor's arrow and pen hole is placed on the angle's vertex. The 0° line is placed over one side of the angle. Read the measure where the other leg of the angle intersects the protractor.

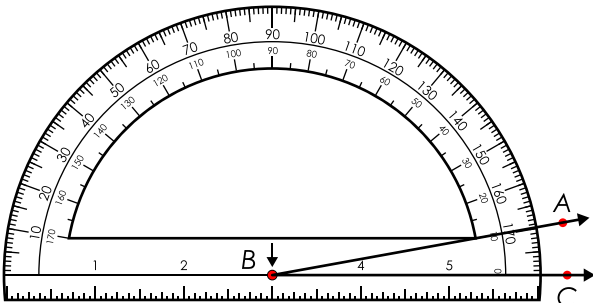
$\angle PQR$  measures 70°.



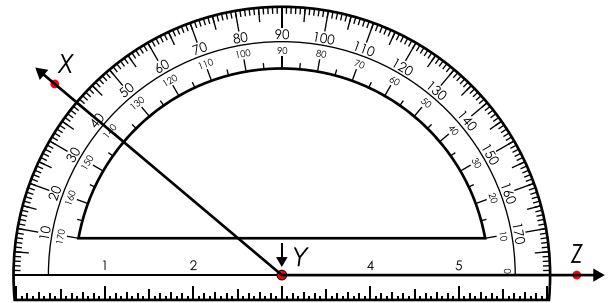
$\angle LMN = 120^\circ$



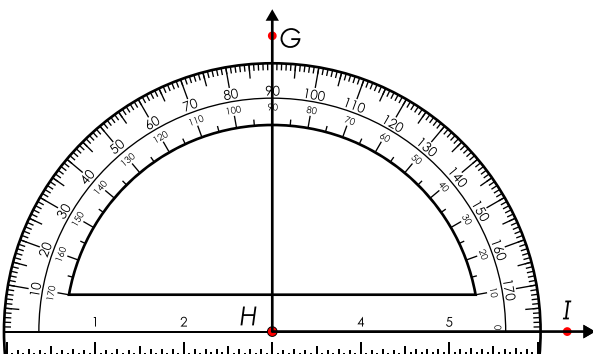
$\angle DEF = 30^\circ$



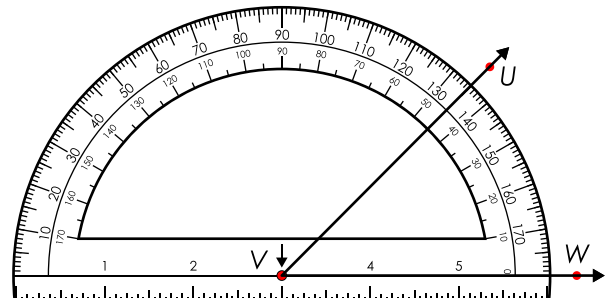
$\angle ABC = 10^\circ$



$\angle XYZ = 140^\circ$



$\angle GHI = 90^\circ$



$\angle UVW = 45^\circ$