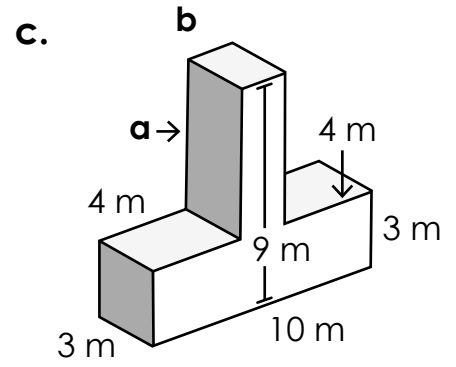
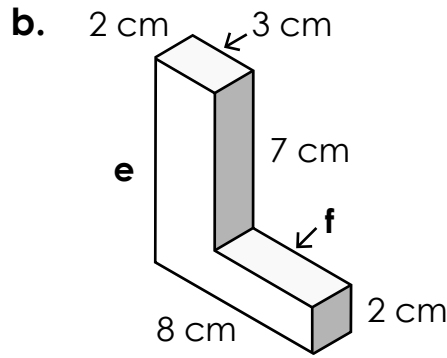
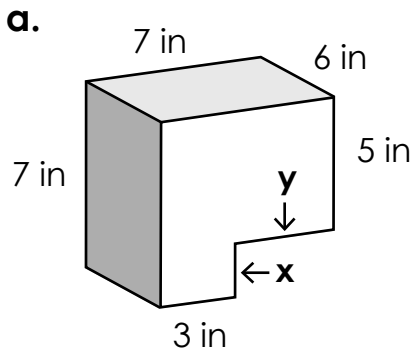


Name: _____

Volume of Composite Figures

Find the missing lengths and volume of each solid figure.

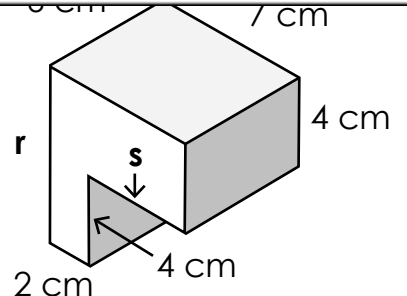
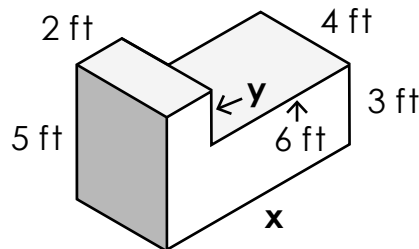
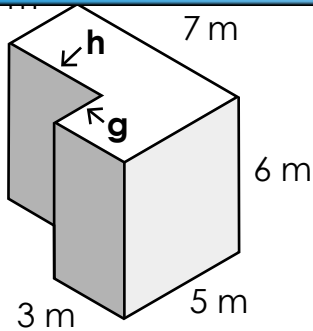


x = _____ y = _____ e = _____ f = _____ a = _____ b = _____



Preview

Please log in to download the printable version of this worksheet.

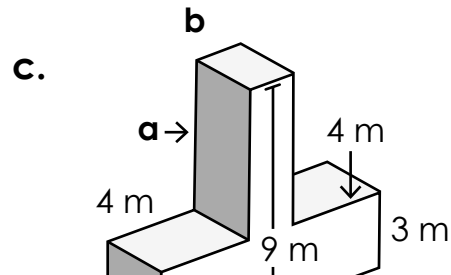
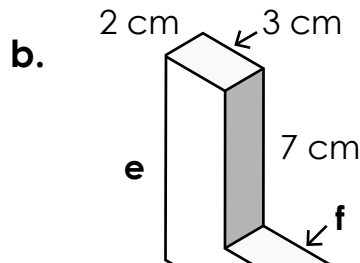
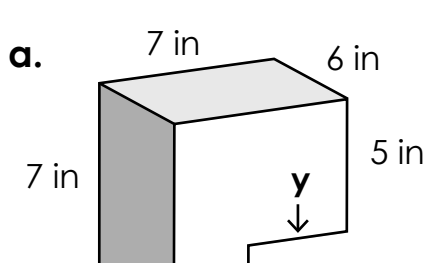


g = _____ h = _____ x = _____ y = _____ r = _____ s = _____

ANSWER KEY

Volume of Composite Figures

Find the missing lengths and volume of each solid figure.



x =
5 x
2 x
210

d.

g =
2 x

Preview

Please log in to download the printable version of this worksheet.



$$3 \times 6 \times 7 = 126 \text{ m}^3$$

$$36 + 126 = 162 \text{ m}^3$$

or

$$3 \times 4 \times 6 = 72 \text{ m}^3$$

$$3 \times 5 \times 6 = 90 \text{ m}^3$$

$$72 + 90 = 162 \text{ m}^3$$

$$3 \times 4 \times 6 = 72 \text{ ft}^3$$

$$40 + 72 = 112 \text{ ft}^3$$

or

$$2 \times 2 \times 4 = 16 \text{ ft}^3$$

$$3 \times 4 \times 8 = 96 \text{ ft}^3$$

$$16 + 96 = 112 \text{ ft}^3$$

$$4 \times 5 \times 6 = 120 \text{ cm}^3$$

$$96 + 120 = 216 \text{ cm}^3$$

or

$$4 \times 6 \times 7 = 168 \text{ cm}^3$$

$$2 \times 4 \times 6 = 48 \text{ cm}^3$$

$$168 + 48 = 216 \text{ cm}^3$$