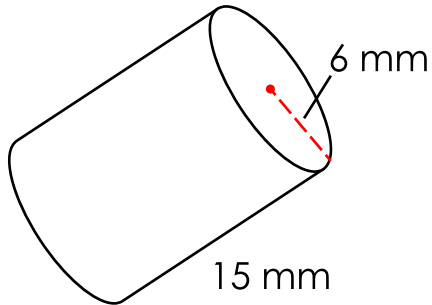


## 1. Volume of a Cylinder

Find the volume of the cylinder.



Use 3.14 for  $\pi$ .

## 2. Volume of a Cylinder

A cylinder has a radius of 4 centimeters and a height of 35 centimeters. What is the volume?

Use 3.14 for  $\pi$ .



# Preview

Please log in to download the printable version of this worksheet.

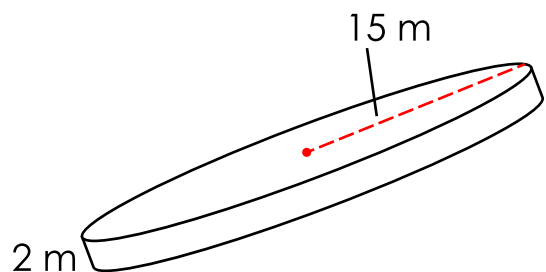
A cylinder has a radius of 5 millimeters and a height of 12 millimeters. What is the volume?

Use 3.14 for  $\pi$ .

Round your answer to the nearest tenth, if necessary.

Include units in your answer.

Find the volume of the cylinder.



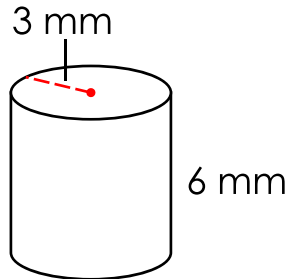
Use 3.14 for  $\pi$ .

Round your answer to the nearest tenth, if necessary.

Include units in your answer.

## 5. Volume of a Cylinder

Find the volume of the cylinder.



Use 3.14 for  $\pi$ .

## 6. Volume of a Cylinder

A cylinder has a radius of 5 centimeters and a height of 25 centimeters. What is the volume?

Use 3.14 for  $\pi$ .



# Preview

Please log in to download the printable version of this worksheet.

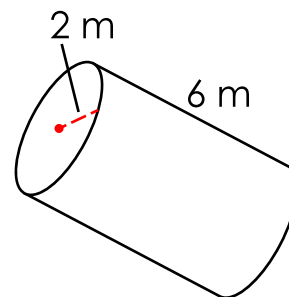
A cylinder has a radius of 10 millimeters and a height of 15 millimeters. What is the volume?

Use 3.14 for  $\pi$ .

Round your answer to the nearest tenth, if necessary.

Include units in your answer.

Find the volume of the cylinder.



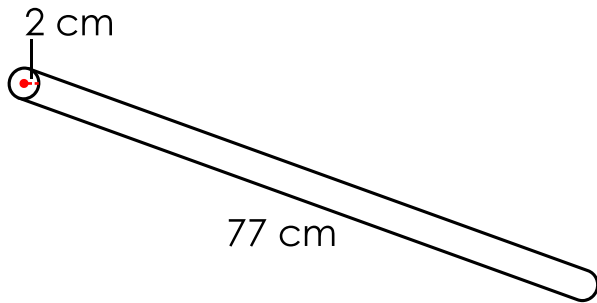
Use 3.14 for  $\pi$ .

Round your answer to the nearest tenth, if necessary.

Include units in your answer.

## 9. Volume of a Cylinder

Find the volume of the cylinder.



Use 3.14 for  $\pi$ .

## 10. Volume of a Cylinder

A cylinder has a radius of 10 millimeters and a height of 2 millimeters. What is the volume?

Use 3.14 for  $\pi$ .



# Preview

Please log in to download the printable version of this worksheet.

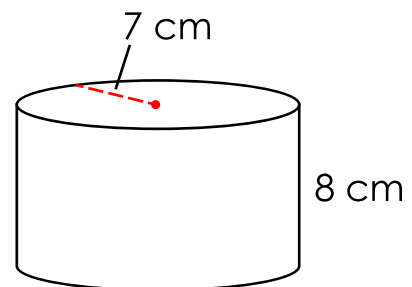
A cylinder has a radius of 4 meters and a height of 24 meters. What is the volume?

Use 3.14 for  $\pi$ .

Round your answer to the nearest tenth, if necessary.

Include units in your answer.

Find the volume of the cylinder.



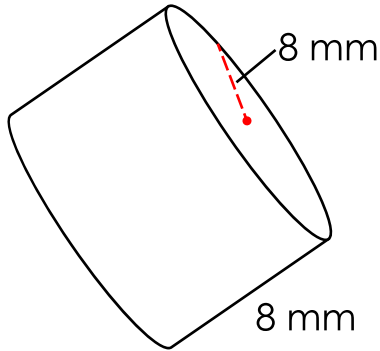
Use 3.14 for  $\pi$ .

Round your answer to the nearest tenth, if necessary.

Include units in your answer.

### 13. Volume of a Cylinder

Find the volume of the cylinder.

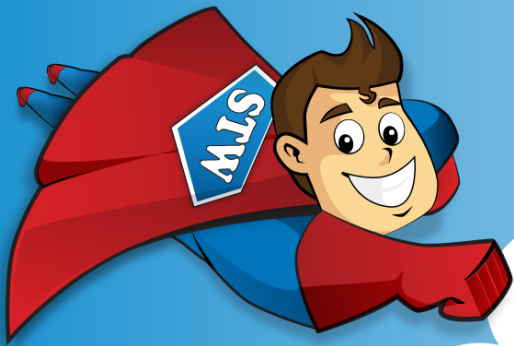


Use 3.14 for  $\pi$ .

### 14. Volume of a Cylinder

A cylinder has a radius of 1 meter and a height of 99 meters. What is the volume?

Use 3.14 for  $\pi$ .



# Preview

Please log in to download the printable version of this worksheet.

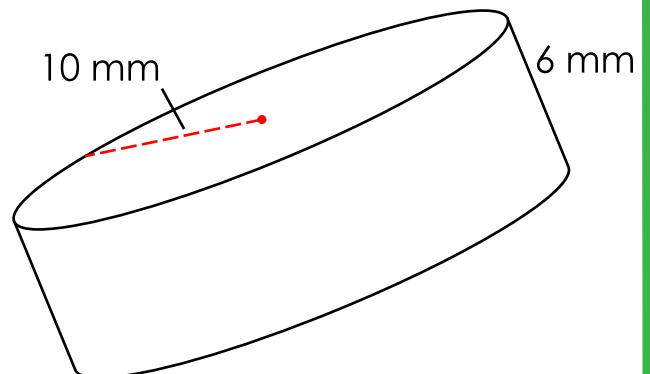
A cylinder has a radius of 3 centimeters and a height of 50 centimeters. What is the volume?

Use 3.14 for  $\pi$ .

Round your answer to the nearest tenth, if necessary.

Include units in your answer.

Find the volume of the cylinder.



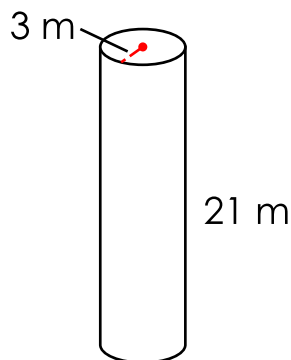
Use 3.14 for  $\pi$ .

Round your answer to the nearest tenth, if necessary.

Include units in your answer.

## 17. Volume of a Cylinder

Find the volume of the cylinder.



Use 3.14 for  $\pi$ .

## 18. Volume of a Cylinder

A cylinder has a radius of 7 centimeters and a height of 20 centimeters. What is the volume?

Use 3.14 for  $\pi$ .



# Preview

Please log in to download the printable version of this worksheet.

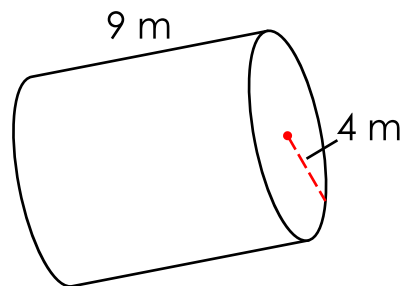
A cylinder has a radius of 6 millimeters and a height of 14 millimeters. What is the volume?

Use 3.14 for  $\pi$ .

Round your answer to the nearest tenth, if necessary.

Include units in your answer.

Find the volume of the cylinder.



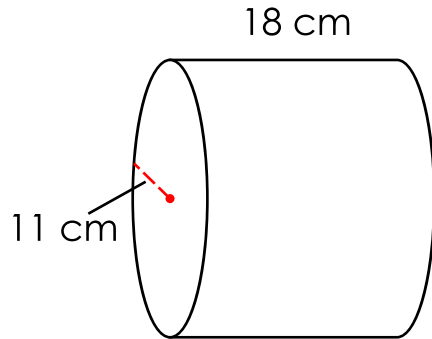
Use 3.14 for  $\pi$ .

Round your answer to the nearest tenth, if necessary.

Include units in your answer.

## 21. Volume of a Cylinder

Find the volume of the cylinder.



Use 3.14 for  $\pi$ .

## 22. Volume of a Cylinder

A cylinder has a radius of 1 millimeter and a height of 2 millimeters. What is the volume?

Use 3.14 for  $\pi$ .



# Preview

Please log in to download the printable version of this worksheet.

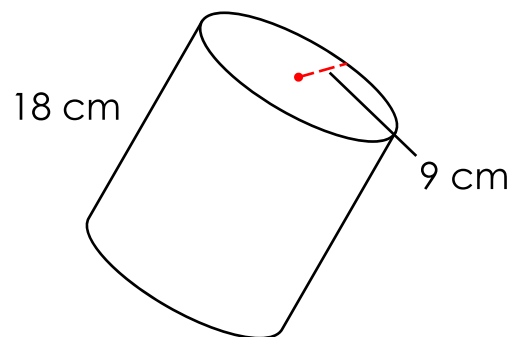
A cylinder has a radius of 10 meters and a height of 31 meters. What is the volume?

Use 3.14 for  $\pi$ .

Round your answer to the nearest tenth, if necessary.

Include units in your answer.

Find the volume of the cylinder.



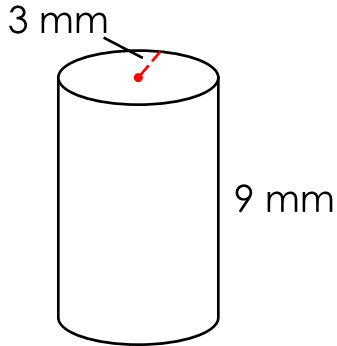
Use 3.14 for  $\pi$ .

Round your answer to the nearest tenth, if necessary.

Include units in your answer.

## 25. Volume of a Cylinder

Find the volume of the cylinder.



Use 3.14 for  $\pi$ .

## 26. Volume of a Cylinder

A cylinder has a radius of 2 meters and a height of 7 meters. What is the volume?

Use 3.14 for  $\pi$ .



# Preview

Please log in to download the printable version of this worksheet.

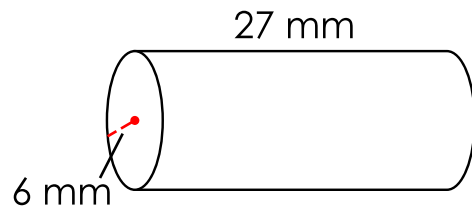
A cylinder has a radius of 5 centimeters and a height of 10 centimeters. What is the volume?

Use 3.14 for  $\pi$ .

Round your answer to the nearest tenth, if necessary.

Include units in your answer.

Find the volume of the cylinder.



Use 3.14 for  $\pi$ .

Round your answer to the nearest tenth, if necessary.

Include units in your answer.

## 29. Volume of a Cylinder

Find the volume of the cylinder.

13 m



## 30. Volume of a Cylinder

A cylinder has a radius of

1 centimeter and a height



# Preview

Please log in to download  
the printable version of this worksheet.

tenn, if necessary.

Include units in your answer.

tenn, if necessary.

Include units in your answer.



Name: \_\_\_\_\_

## Task Cards: Volume of a Cylinder

1. \_\_\_\_\_

16. \_\_\_\_\_

2. \_\_\_\_\_

17. \_\_\_\_\_

# Preview

Please log in to download  
the printable version of this worksheet.



14. \_\_\_\_\_

29. \_\_\_\_\_

15. \_\_\_\_\_

30. \_\_\_\_\_

# ANSWER KEY

## Task Cards: Volume of a Cylinder

1. 1,695.6 mm<sup>3</sup>

16. 1,884 mm<sup>3</sup>

2. 1,758.4 cm<sup>3</sup>

17. 593.5 m<sup>3</sup>

# Preview

Please log in to download  
the printable version of this worksheet.



14. 310.9 m<sup>3</sup>

29. 6,898.6 m<sup>3</sup>

15. 1,413 cm<sup>3</sup>

30. 28.3 cm<sup>3</sup>

## Task Cards: Volume of a Cylinder

This file contains 30 task cards.

There are countless ways to use task cards in your classroom.  
Here are a few ideas:

# Preview

*Please log in to download  
the printable version of this worksheet.*



Have a parent, friend, or volunteer sit with individual students who need extra help. They can practice by solving the problems on the task cards together.