

Name: _____

Math Puzzle Picture

Solve the equations below. Then cut out the picture squares. Match the number printed on the picture squares to your answers below and glue them in place to unscramble the mystery picture.

$$\begin{array}{r} 849 \\ - 73 \\ \hline \end{array}$$

$$\begin{array}{r} 833 \\ - 93 \\ \hline \end{array}$$

$$\begin{array}{r} 769 \\ - 186 \\ \hline \end{array}$$

$$\begin{array}{r} 387 \\ - 247 \\ \hline \end{array}$$



Preview

Please log in to download
the printable version of this worksheet.

$$\begin{array}{r} 454 \\ - 291 \\ \hline \end{array}$$

$$\begin{array}{r} 989 \\ - 396 \\ \hline \end{array}$$

$$\begin{array}{r} 638 \\ - 75 \\ \hline \end{array}$$

$$\begin{array}{r} 796 \\ - 245 \\ \hline \end{array}$$

$$\begin{array}{r} 546 \\ - 482 \\ \hline \end{array}$$

$$\begin{array}{r} 531 \\ - 529 \\ \hline \end{array}$$

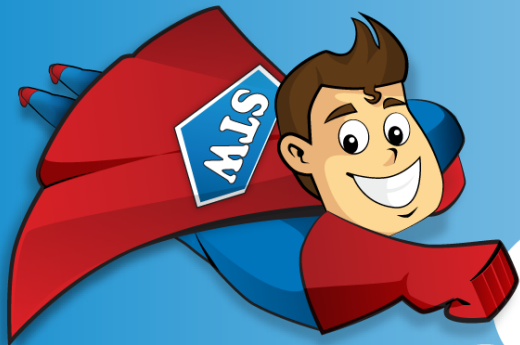
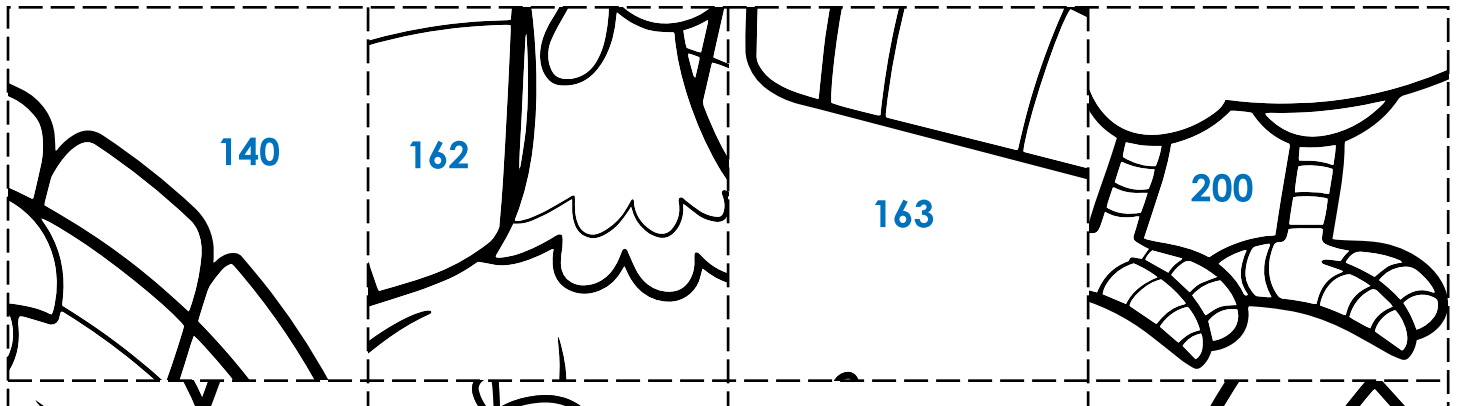
$$\begin{array}{r} 300 \\ - 100 \\ \hline \end{array}$$

$$\begin{array}{r} 726 \\ - 318 \\ \hline \end{array}$$

Name: _____

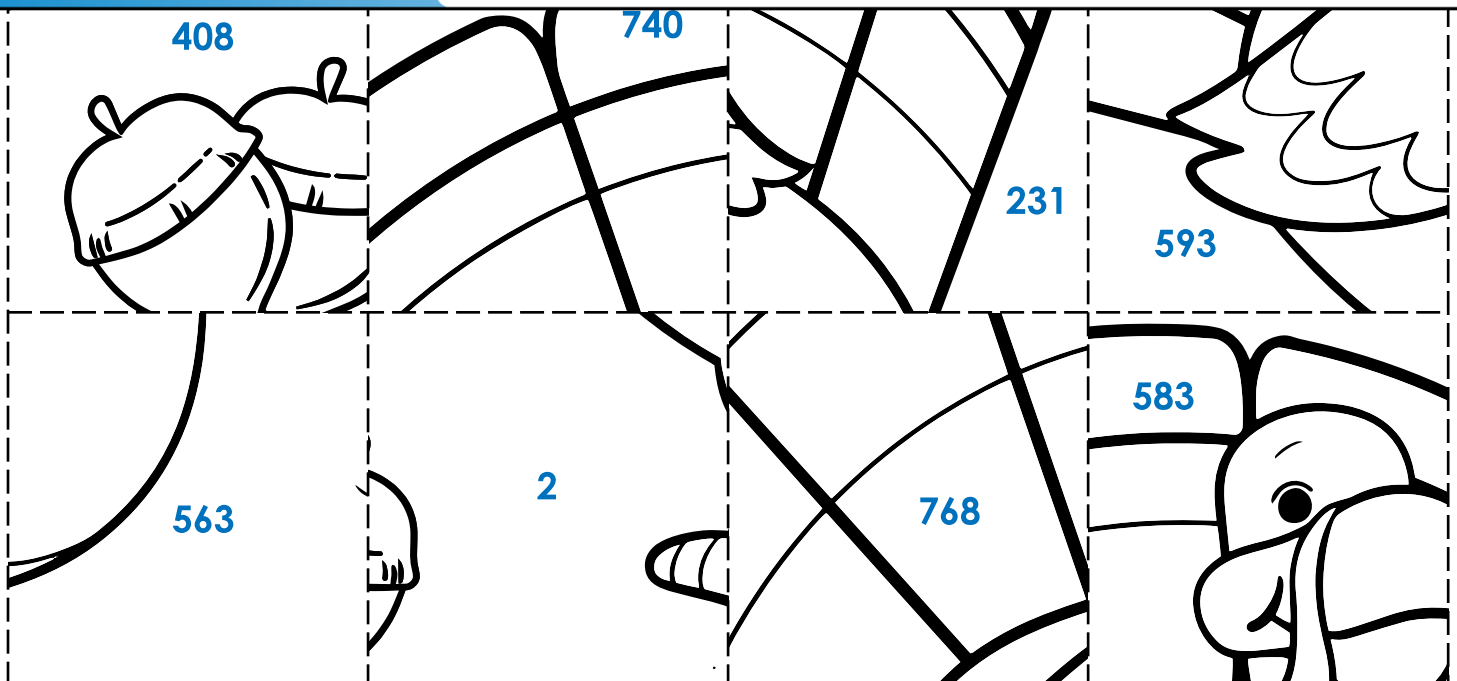
Math Puzzle Picture

Solve the equations. Then cut out the picture squares. Match the number printed on the picture squares to your answers and glue them in place to unscramble the mystery picture.



Preview

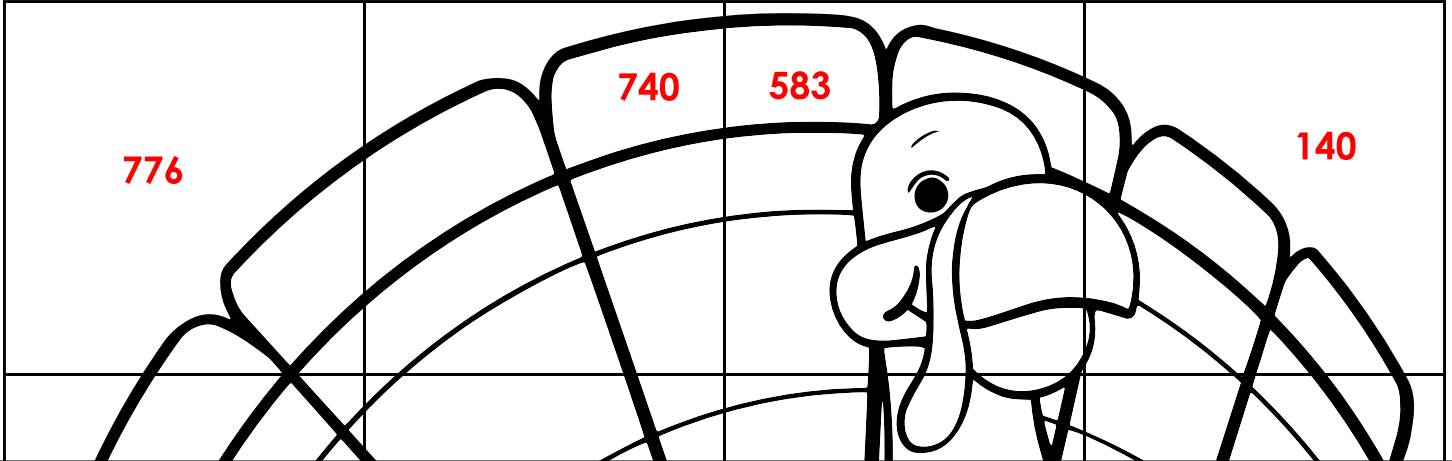
Please log in to download the printable version of this worksheet.



ANSWER KEY

Math Puzzle Picture

Note to teachers: We recommend you distribute page 2 only after students have completed page 1. This may prevent students from trying to assemble the puzzle without solving the math problems.



Preview

Please log in to download the printable version of this worksheet.

