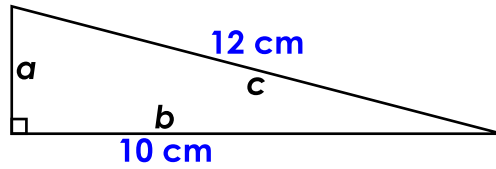


Name: \_\_\_\_\_

# Pythagorean Theorem



$$a^2 + b^2 = c^2$$

$$a^2 + 10^2 = 12^2$$

$$a^2 + 100 = 144$$

$$a^2 = 44$$

$$a = \sqrt{44}$$

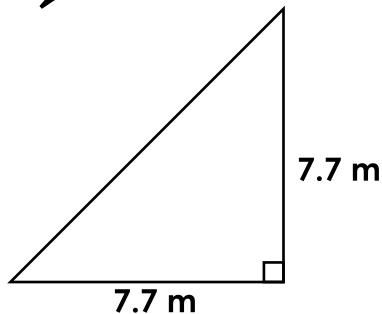
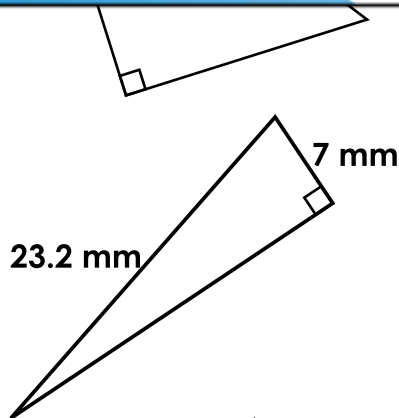
$$a \approx 6.6$$

Find the lengths of the missing sides. Use a calculator to solve and round to the nearest tenth.



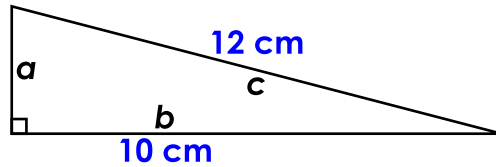
# Preview

Please log in to download  
the printable version of this worksheet.



# ANSWER KEY

## Pythagorean Theorem



$$a^2 + b^2 = c^2$$

$$a^2 + 10^2 = 12^2$$

$$a^2 + 100 = 144$$

$$a^2 = 44$$

$$a = \sqrt{44}$$

$$a \approx 6.6$$

Find the lengths of the missing sides. Use a calculator to solve and round to the nearest tenth.

# Preview

Please log in to download  
the printable version of this worksheet.

