

Name: _____

Words Starting with St

story

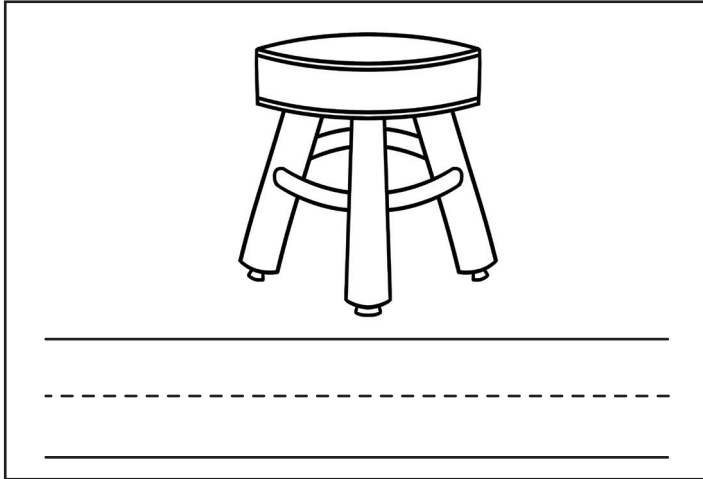
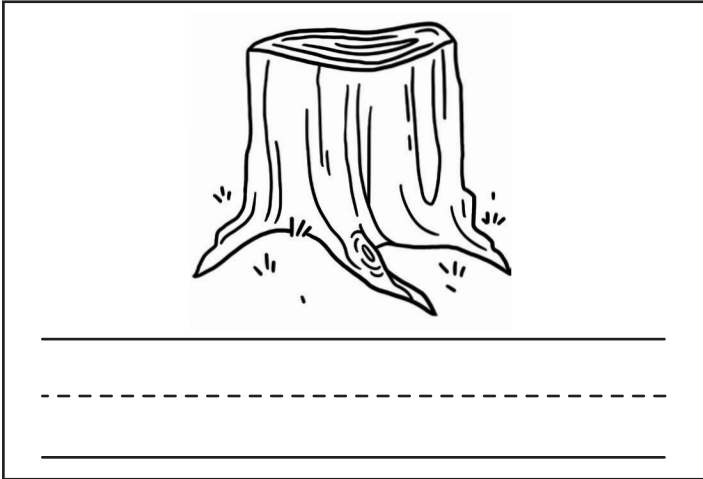
star

stool

stump

stop

strawberry



Preview

Please log in to download
the printable version of this worksheet.

