

Name: _____

Words Starting with Sl

sled

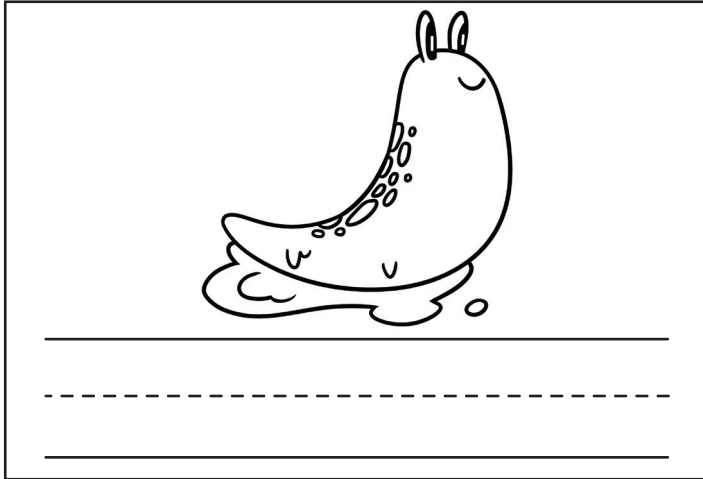
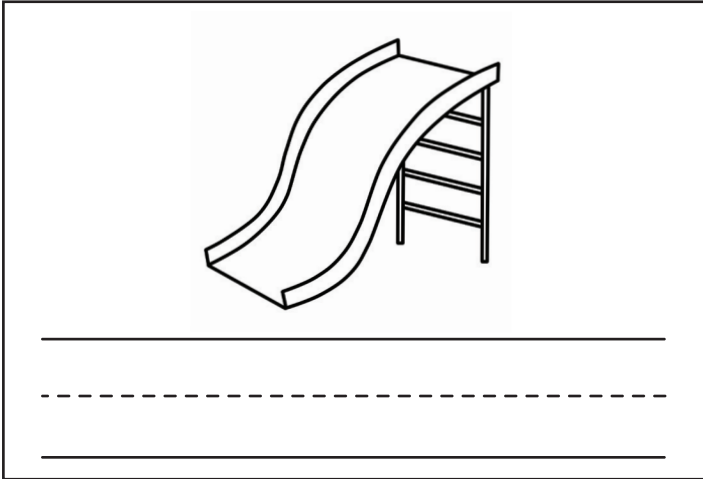
sleep

slug

sloth

slide

sleeve



Preview
Please log in to download
the printable version of this worksheet.

