






Name: \_\_\_\_\_

# The Cat's Meow












**NOTE:** In each section, do NOT connect the last point back to first point.

(X, Y)	(X, Y)	(X, Y)	(X, Y)	(X, Y)	(X, Y)	(X, Y)
<input type="checkbox"/> (17, 22)	<input type="checkbox"/> (18, 23)	<input type="checkbox"/> (19, 13)	<input type="checkbox"/> (15, 20)	<input type="checkbox"/> (3, 30)	<input type="checkbox"/> (7, 18)	<input type="checkbox"/> (14, 22)
<input type="checkbox"/> (19, 24)	<input type="checkbox"/> (18, 24)	<input type="checkbox"/> (19, 12)	<input type="checkbox"/> (15, 18)	<input type="checkbox"/> (6, 34)	<input type="checkbox"/> (5, 16)	<input type="checkbox"/> (13, 22)
<input type="checkbox"/> (17, 25)	<input type="checkbox"/> (15, 24)	<input type="checkbox"/> (18, 12)	<input type="checkbox"/> (14, 18)	<input type="checkbox"/> (12, 34)	<input type="checkbox"/> (7, 15)	<input type="checkbox"/> (13, 20)
<input type="checkbox"/> (15, 25)	<input type="checkbox"/> (9, 20)	<input type="checkbox"/> (16, 9)	<input type="checkbox"/> (14, 20)		<input type="checkbox"/> (9, 17)	
<input type="checkbox"/> (13, 27)	<input type="checkbox"/> (7, 20)	<input type="checkbox"/> (16, 5)	<input type="checkbox"/> (15, 20)			
<input type="checkbox"/> (13, 29)	<input type="checkbox"/> (5, 19)			<u>(X, Y)</u>		<u>(X, Y)</u>
<input type="checkbox"/> (12, 32)	<input type="checkbox"/> (9, 17)			<input type="checkbox"/> (4, 27)	<u>(X, Y)</u>	<input type="checkbox"/> (10, 15)
<input type="checkbox"/> (12, 34)	<input type="checkbox"/> (8, 14)					



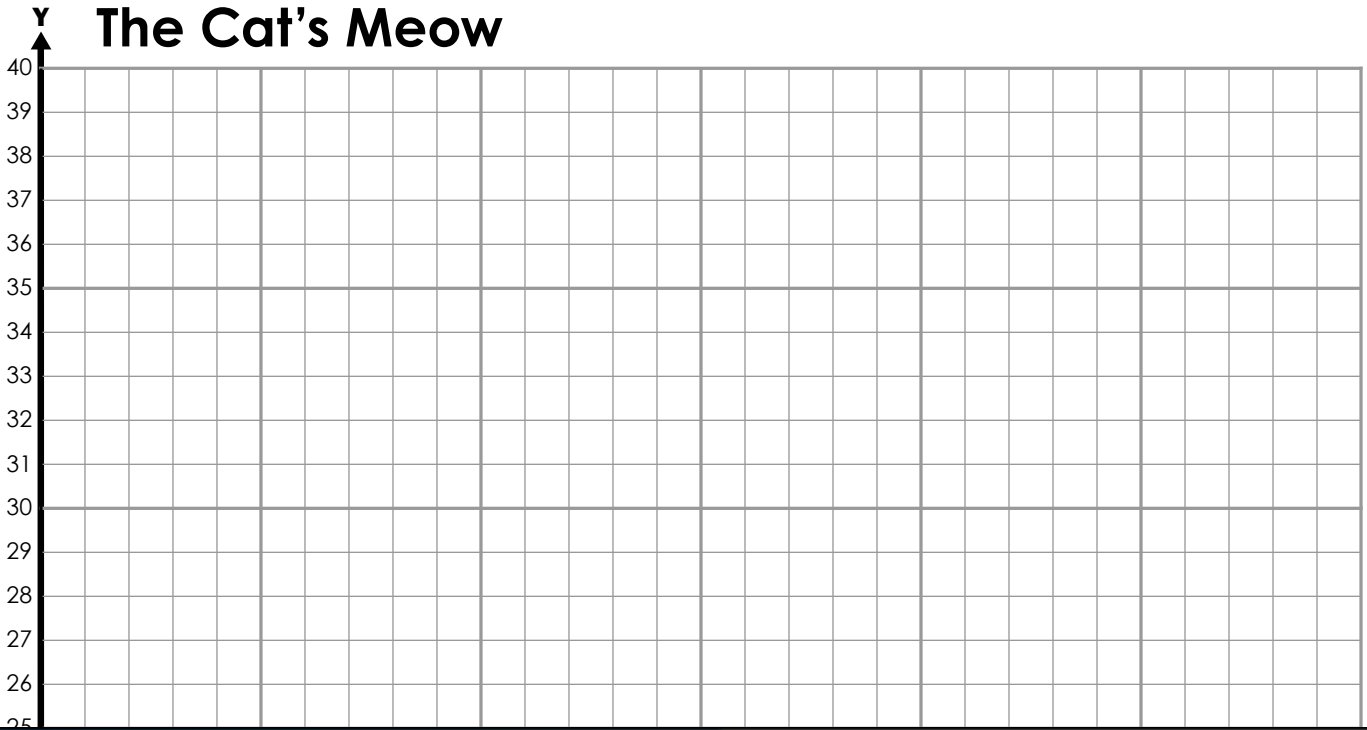
## Preview

Please log in to download the printable version of this worksheet.

<input type="checkbox"/> (7, 22)	<input type="checkbox"/> (18, 20)	<u>(X, Y)</u>	<u>(X, Y)</u>		<input type="checkbox"/> (23, 17)	
<input type="checkbox"/> (7, 20)	<input type="checkbox"/> (18, 19)	<input type="checkbox"/> (15, 4)	<input type="checkbox"/> (16, 18)		<input type="checkbox"/> (28, 15)	<u>(X, Y)</u>
	<input type="checkbox"/> (21, 17)	<input type="checkbox"/> (20, 8)	<input type="checkbox"/> (17, 18)	<u>(X, Y)</u>		<input type="checkbox"/> (13, 15)
	<input type="checkbox"/> (21, 16)	<input type="checkbox"/> (19, 2)	<input type="checkbox"/> (17, 17)	<input type="checkbox"/> (7, 22)		<input type="checkbox"/> (12, 14)
	<input type="checkbox"/> (20, 14)	<input type="checkbox"/> (15, 3)	<input type="checkbox"/> (16, 17)	<input type="checkbox"/> (9, 26)		<input type="checkbox"/> (12, 13)
	<input type="checkbox"/> (19, 13)		<input type="checkbox"/> (16, 18)	<input type="checkbox"/> (13, 27)		
	<input type="checkbox"/> (16, 12)	<u>(X, Y)</u>				
	<input type="checkbox"/> (12, 14)	<input type="checkbox"/> (14, 4)		<u>(X, Y)</u>		
		<input type="checkbox"/> (9, 6)		<input type="checkbox"/> (7, 20)		
		<input type="checkbox"/> (10, 1)		<input type="checkbox"/> (15, 25)		
		<input type="checkbox"/> (14, 3)				
						

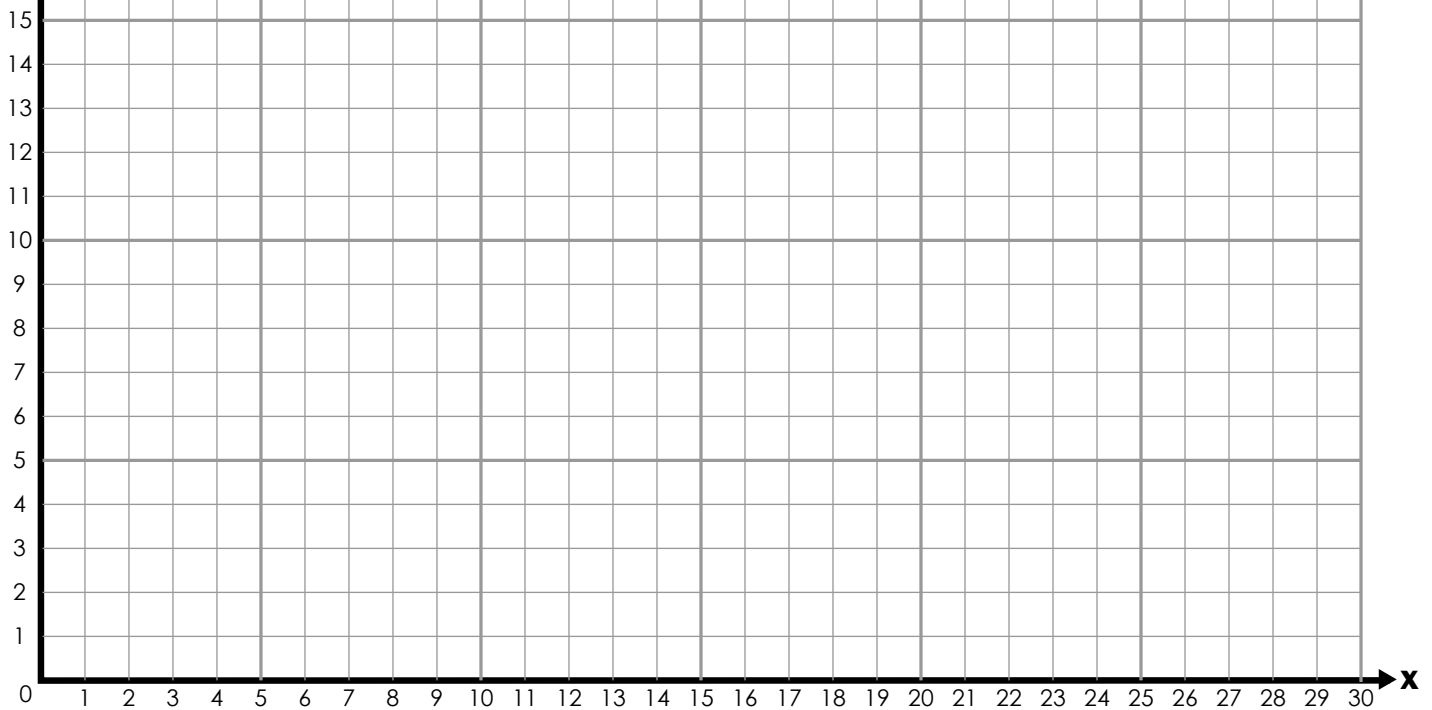
Now that all of the graphing is done. Color your picture for even more fun.

# The Cat's Meow

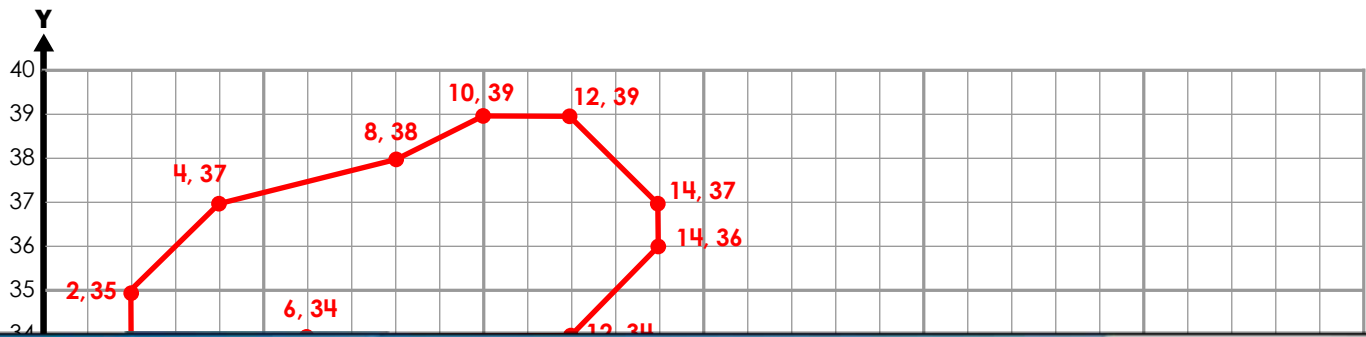


# Preview

Please log in to download  
the printable version of this worksheet.



# ANSWER KEY



# Preview

Please log in to download the printable version of this worksheet.

