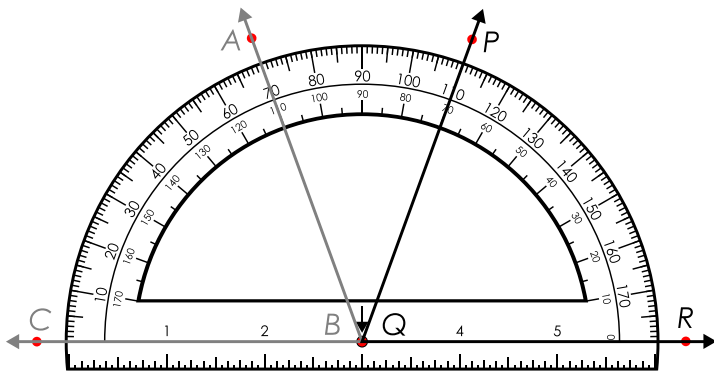


Name: _____

Using a Protractor



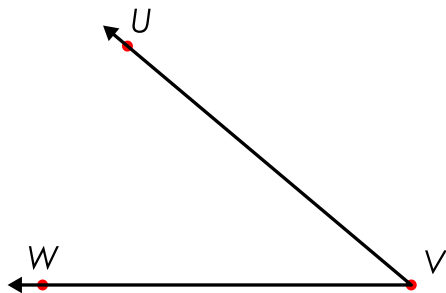
The protractor's arrow and pen hole is placed on the angle's vertex. The 0° line is placed over one side of the angle. If the 0° line is used on the left of the pen hole, use the outside edge for the measure. If the 0° line is used on the right of the pen hole, use the the inside edge. Read the measure where the other leg of the angle intersects the protractor.

$\angle ABC$ and $\angle PQR$ both measure 70° .

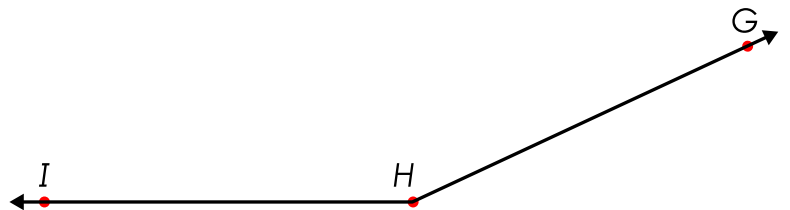


Preview

Please log in to download the printable version of this worksheet.



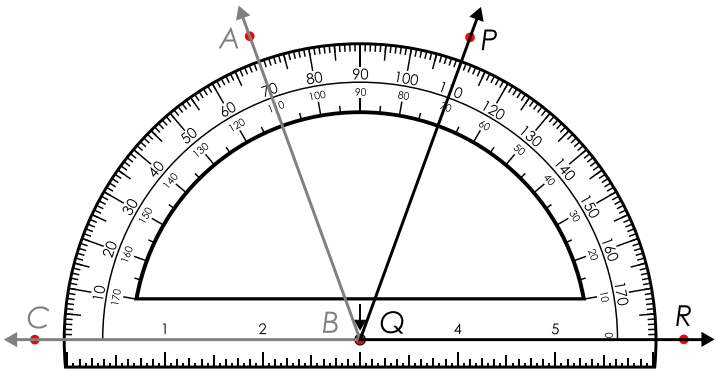
$\angle UVW =$ _____



$\angle GHI =$ _____

ANSWER KEY

Using a Protractor



The protractor's arrow and pen hole is placed on the angle's vertex. The 0° line is placed over one side of the angle. If the 0° line is used on the left of the pen hole, use the outside edge for the measure. If the 0° line is used on the right of the pen hole, use the the inside edge. Read the measure where the other leg of the angle intersects the protractor.

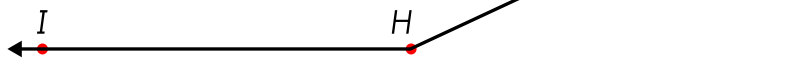
$\angle ABC$ and $\angle PQR$ both measure 70° .

Preview

Please log in to download the printable version of this worksheet.



$$\angle UVW = \underline{40^\circ}$$



$$\angle GHI = \underline{155^\circ}$$