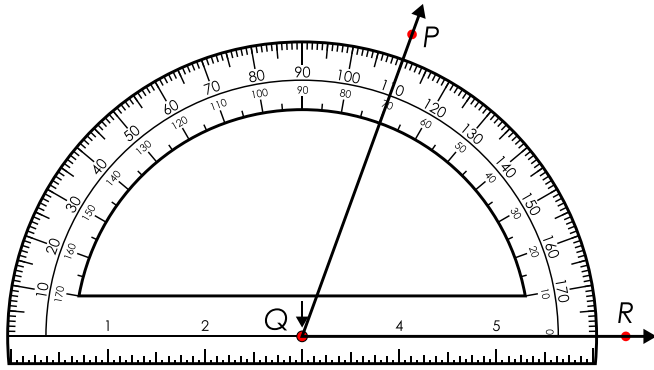


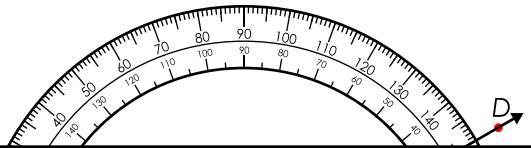
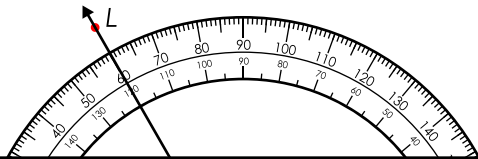
Name: _____

Using a Protractor



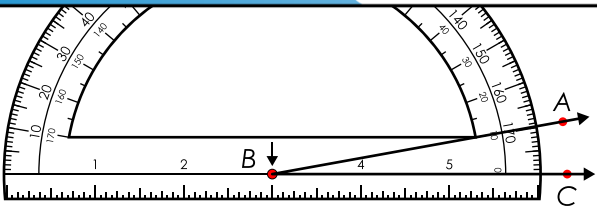
The protractor's arrow and pen hole is placed on the angle's vertex. The 0° line is placed over one side of the angle. Read the measure where the other leg of the angle intersects the protractor.

$\angle PQR$ measures 70°.

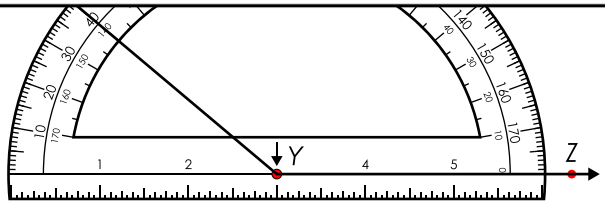


Preview

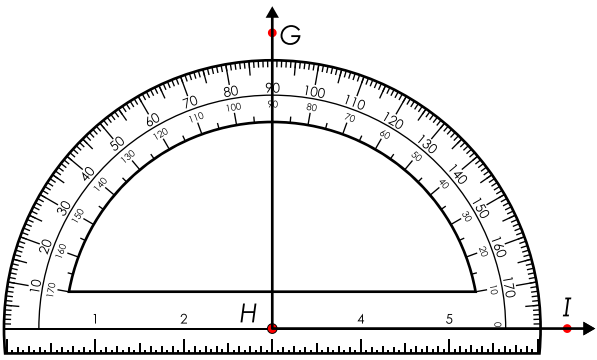
Please log in to download the printable version of this worksheet.



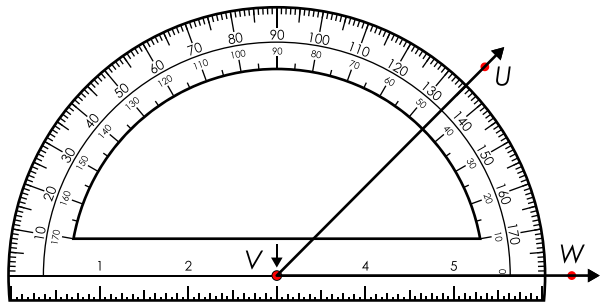
$\angle ABC =$ _____



$\angle XYZ =$ _____



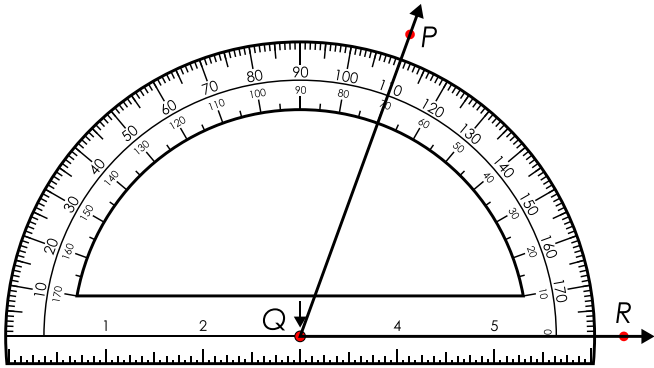
$\angle GHI =$ _____



$\angle UVW =$ _____

ANSWER KEY

Using a Protractor

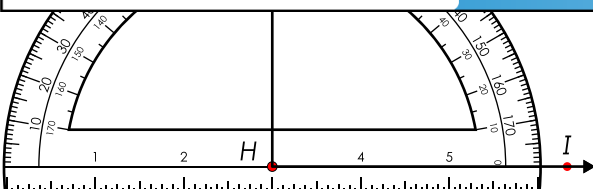


The protractor's arrow and pen hole is placed on the angle's vertex. The 0° line is placed over one side of the angle. Read the measure where the other leg of the angle intersects the protractor.

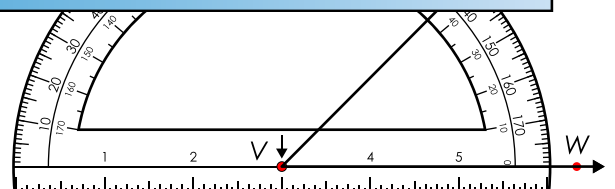
$\angle PQR$ measures 70° .

Preview

Please log in to download the printable version of this worksheet.



$\angle GHI = 90^\circ$



$\angle UVW = 45^\circ$