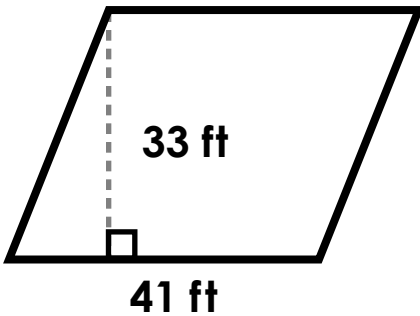


1.

## Area of a Parallelogram

Calculate the area of the parallelogram.



2.

## Area of a Parallelogram

Find the area of a parallelogram with the dimensions below.

**base = 18 cm**

**height = 11 cm**

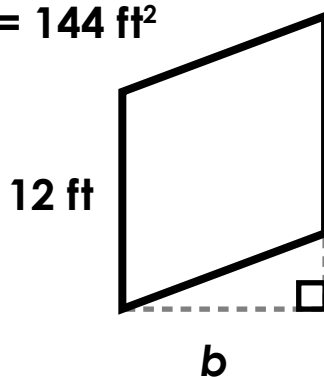


# Preview

Please log in to download the printable version of this worksheet.

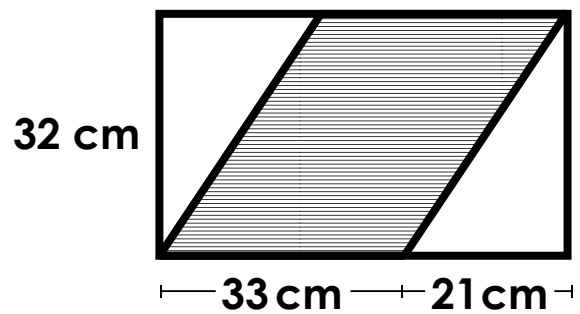
Calculate the base of the parallelogram.

$$A = 144 \text{ ft}^2$$



**Formula:**  $A = b \times h$

Calculate the area of the shaded parallelogram.

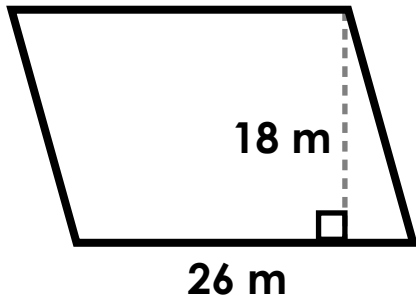


**Formula:**  $A = b \times h$

5.

## Area of a Parallelogram

Calculate the area of the parallelogram.



6.

## Area of a Parallelogram

Find the base of a parallelogram with the dimensions below.

$$\text{area} = 204 \text{ in}^2$$

$$\text{height} = 17 \text{ in}$$

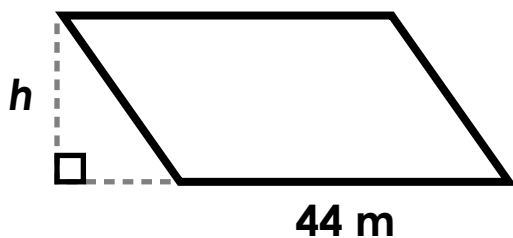


# Preview

Please log in to download the printable version of this worksheet.

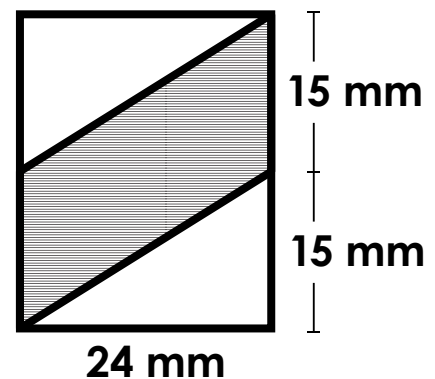
Calculate the height of the parallelogram.

$$A = 968 \text{ m}^2$$



$$\text{Formula: } A = b \times h$$

Calculate the area of the unshaded area.

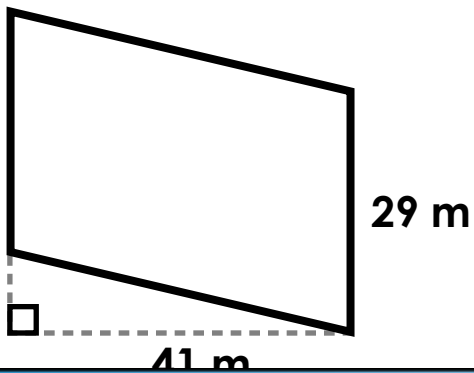


$$\text{Formula: } A = b \times h$$

9.

## Area of a Parallelogram

Calculate the area of the parallelogram.



10.

## Area of a Parallelogram

Find the height of a parallelogram with the dimensions below.

$$\text{area} = 336 \text{ in}^2$$

$$\text{base} = 24 \text{ in}$$

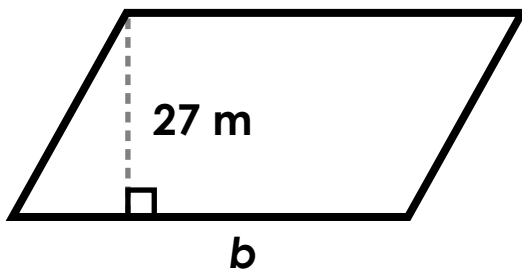


# Preview

Please log in to download the printable version of this worksheet.

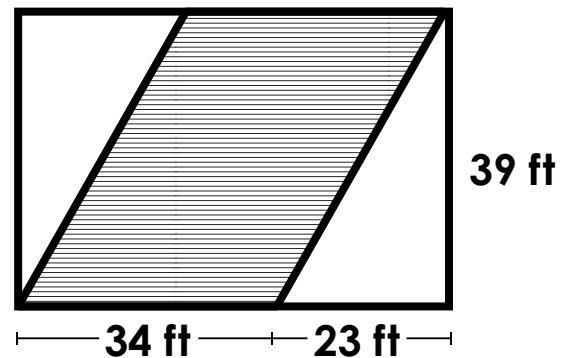
Calculate the base of the parallelogram.

$$A = 1,404 \text{ m}^2$$



$$\text{Formula: } A = b \times h$$

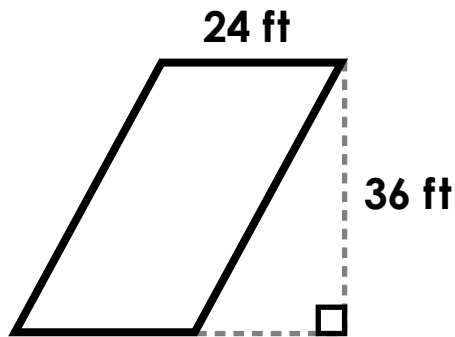
Calculate the area of the rectangle.



$$\text{Formula: } A = b \times h$$

### 13. Area of a Parallelogram

Calculate the area of the parallelogram.



### 14. Area of a Parallelogram

Find the area of a parallelogram with the dimensions below.

**base = 40 cm**

**height = 32 cm**

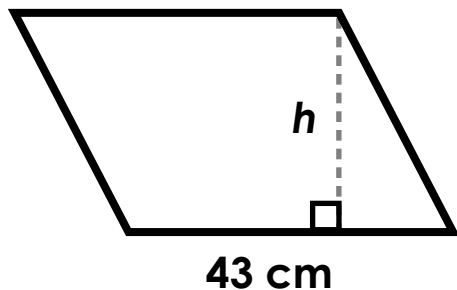


# Preview

Please log in to download the printable version of this worksheet.

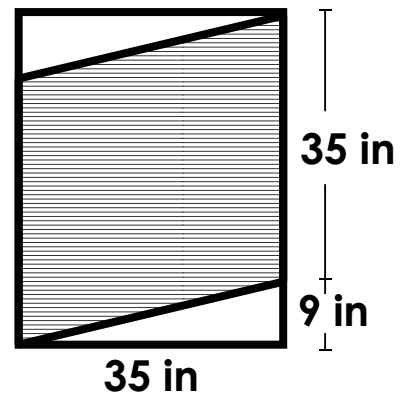
Calculate the height of the parallelogram.

$$A = 1,247 \text{ cm}^2$$



**Formula:**  $A = b \times h$

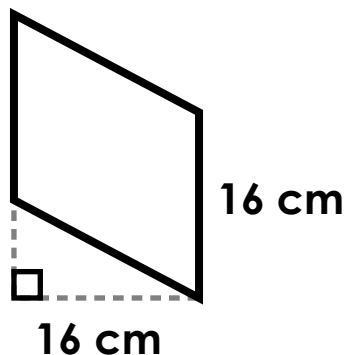
Calculate the area of the shaded parallelogram.



**Formula:**  $A = b \times h$

## 17. Area of a Parallelogram

Calculate the area of the parallelogram.



## 18. Area of a Parallelogram

Find the height of a parallelogram with the dimensions below.

$$\text{area} = 299 \text{ in}^2$$

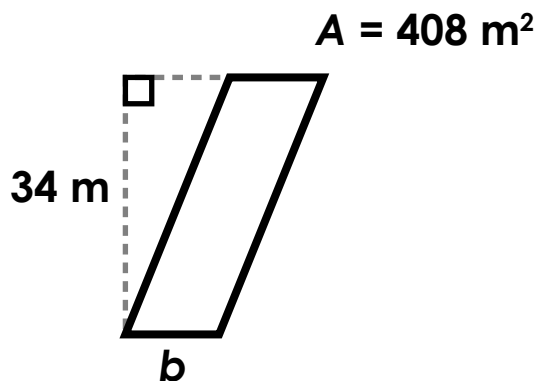
$$\text{base} = 13 \text{ in}$$



# Preview

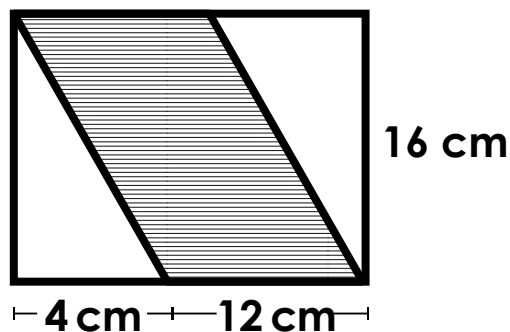
Please log in to download the printable version of this worksheet.

Calculate the base of the parallelogram.



$$\text{Formula: } A = b \times h$$

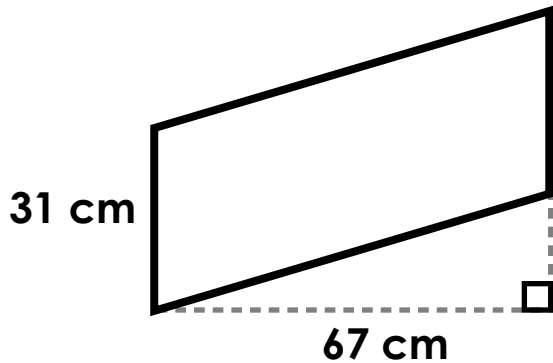
Calculate the area of the unshaded area.



$$\text{Formula: } A = b \times h$$

## 21. Area of a Parallelogram

Calculate the area of the parallelogram.



## 22. Area of a Parallelogram

Find the base of a parallelogram with the dimensions below.

$$\text{area} = 624 \text{ in}^2$$

$$\text{height} = 39 \text{ in}$$

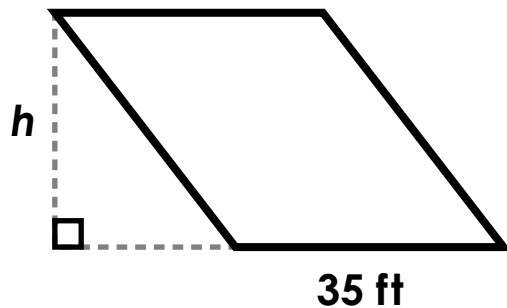


# Preview

Please log in to download the printable version of this worksheet.

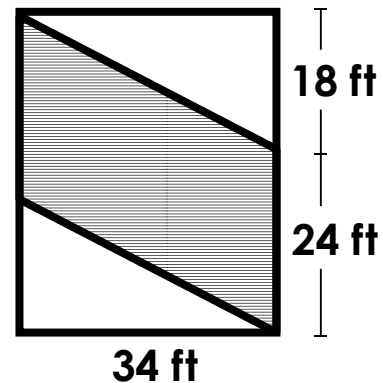
Calculate the height of the parallelogram.

$$A = 1,085 \text{ ft}^2$$



$$\text{Formula: } A = b \times h$$

Calculate the area of the rectangle.

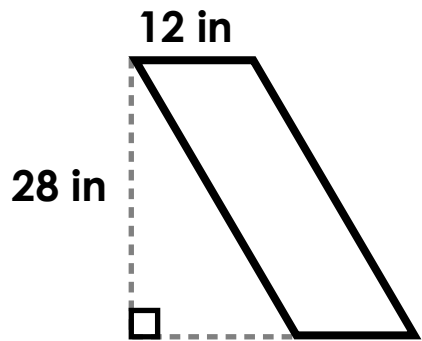


$$\text{Formula: } A = b \times h$$

25.

## Area of a Parallelogram

Calculate the area of the parallelogram.



26.

## Area of a Parallelogram

Find the area of a parallelogram with the dimensions below.

**base = 19 in**

**height = 16 in**

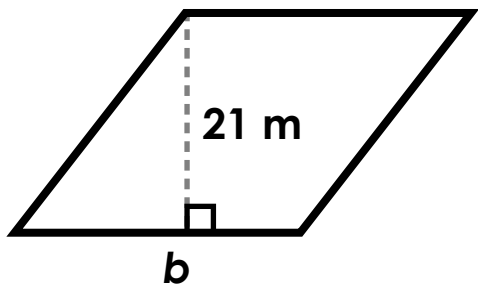


# Preview

Please log in to download the printable version of this worksheet.

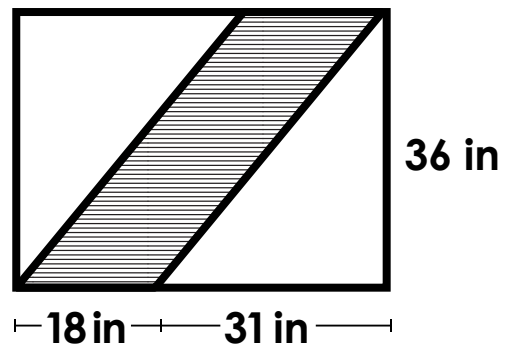
Calculate the base of the parallelogram.

$$A = 567 \text{ m}^2$$



**Formula:**  $A = b \times h$

Calculate the area of the shaded parallelogram.



**Formula:**  $A = b \times h$

29.

## Area of a Parallelogram

Calculate the area of the parallelogram.

30.

## Area of a Parallelogram

Find the base of a parallelogram with



# Preview

Please log in to download the printable version of this worksheet.

**Formula:**  $A = b \times h$

**Formula:**  $A = b \times h$



Name: \_\_\_\_\_

## Task Cards: Area of a Parallelogram

1. area = \_\_\_\_\_

16. area = \_\_\_\_\_

2. area = \_\_\_\_\_

17. area = \_\_\_\_\_



13. area = \_\_\_\_\_

28. area = \_\_\_\_\_

14. area = \_\_\_\_\_

29. area = \_\_\_\_\_

15. height = \_\_\_\_\_

30. base = \_\_\_\_\_

# ANSWER KEY

## Task Cards: Area of a Parallelogram

1. area = 1,353 ft<sup>2</sup>

16. area = 1,225 in<sup>2</sup>

2. area = 198 cm<sup>2</sup>

17. area = 256 cm<sup>2</sup>



13. area = 864 ft<sup>2</sup>

28. area = 468 in<sup>2</sup>

14. area = 1,280 cm<sup>2</sup>

29. area = 3,060 cm<sup>2</sup>

15. height = 29 cm

30. base = 29 in