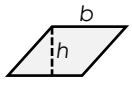
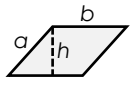


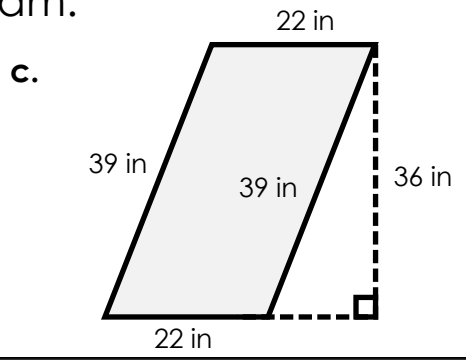
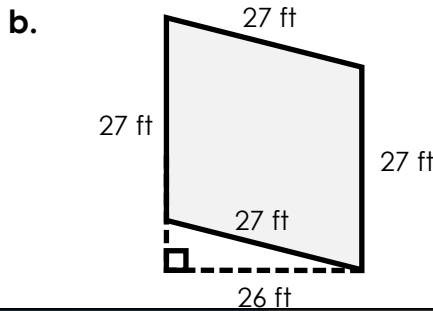
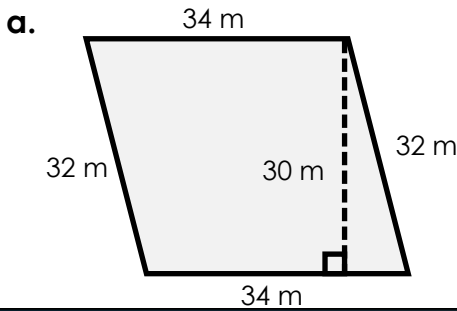
Name: _____

Area and Perimeter of a Parallelogram

Area formula: $A = b \times h$ 

Perimeter formula: $P = 2 \times (b+a)$ 

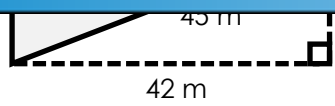
Find the area and perimeter of each parallelogram.



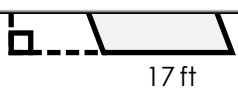


Preview

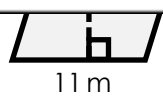
Please log in to download the printable version of this worksheet.



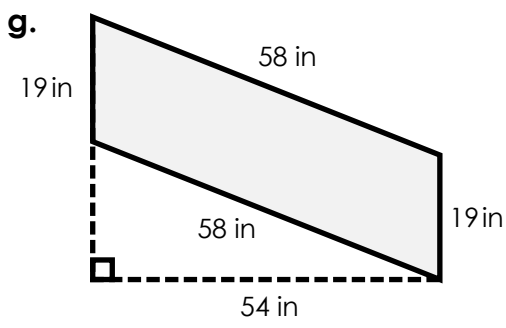
area = _____
perimeter = _____



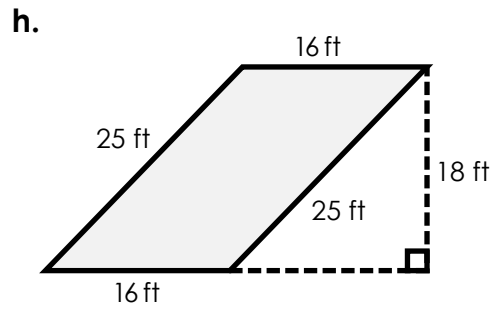
area = _____
perimeter = _____



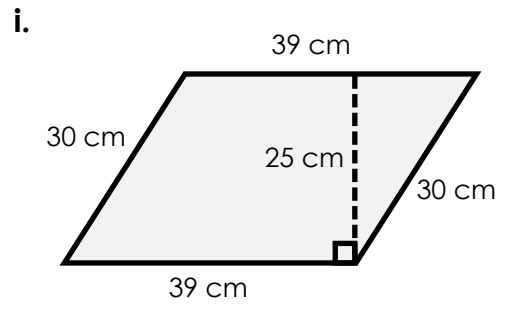
area = _____
perimeter = _____



area = _____
perimeter = _____



area = _____
perimeter = _____

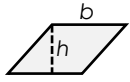


area = _____
perimeter = _____

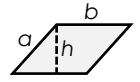
ANSWER KEY

Area and Perimeter of a Parallelogram

Area formula: $A = b \times h$

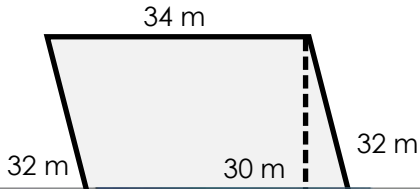


Perimeter formula: $P = 2 \times (b + a)$

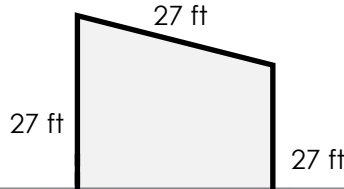


Find the area and perimeter of each parallelogram.

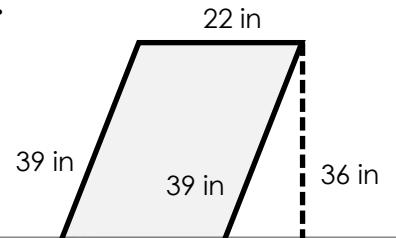
a.



b.



c.



Preview

Please log in to download
the printable version of this worksheet.



perimeter = _____ perimeter = _____ perimeter = _____